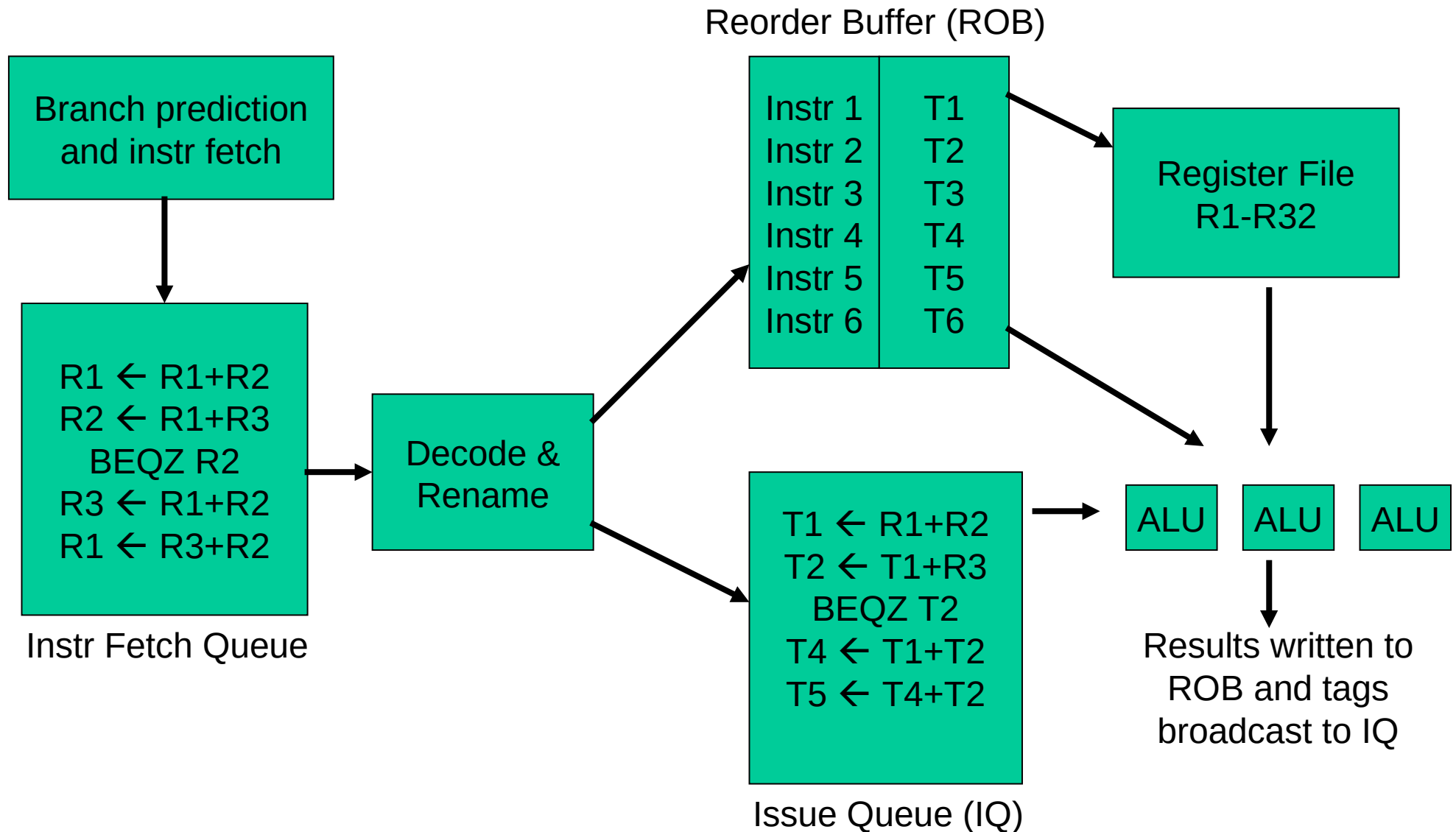


250P: Computer Systems Architecture

Lecture 9: Out-of-order execution

Anton Burtsev
October, 2021

An Out-of-Order Processor Implementation



Design Details - I

- Instructions enter the pipeline in order
- No need for branch delay slots if prediction happens in time
- Instructions leave the pipeline in order – all instructions that enter also get placed in the ROB – the process of an instruction leaving the ROB (in order) is called commit – an instruction commits only if it and all instructions before it have completed successfully (without an exception)
- To preserve precise exceptions, a result is written into the register file only when the instruction commits – until then, the result is saved in a temporary register in the ROB

Design Details - II

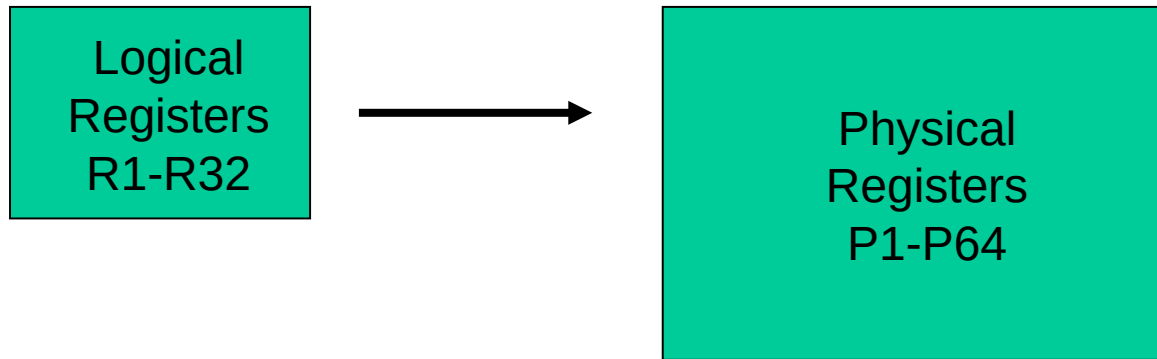
- Instructions get renamed and placed in the issue queue – some operands are available (T1-T6; R1-R32), while others are being produced by instructions in flight (T1-T6)
- As instructions finish, they write results into the ROB (T1-T6) and broadcast the operand tag (T1-T6) to the issue queue – instructions now know if their operands are ready
- When a ready instruction issues, it reads its operands from T1-T6 and R1-R32 and executes (out-of-order execution)
- Can you have WAW or WAR hazards? By using more names (T1-T6), name dependences can be avoided

Design Details - III

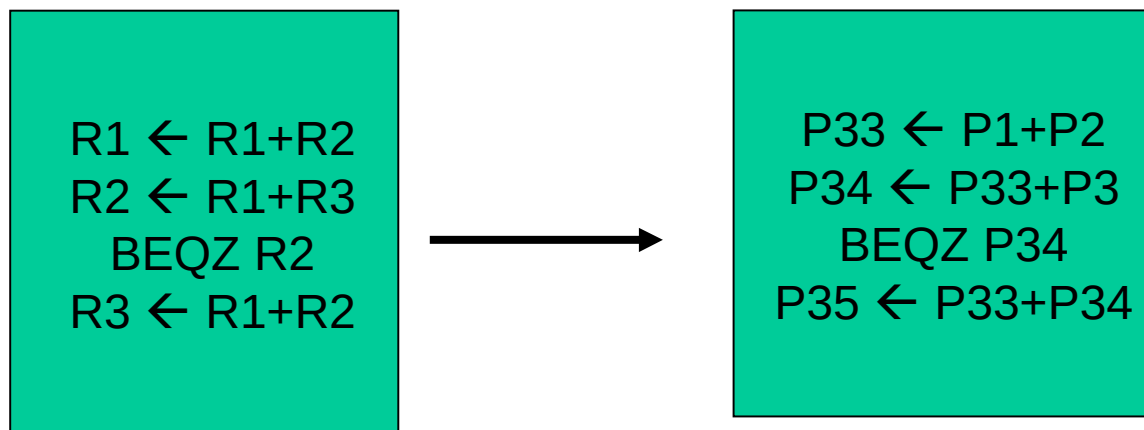
- If instr-3 raises an exception, wait until it reaches the top of the ROB – at this point, R1-R32 contain results for all instructions up to instr-3 – save registers, save PC of instr-3, and service the exception
- If branch is a mispredict, flush all instructions after the branch and start on the correct path – mispredicted instrs will not have updated registers (the branch cannot commit until it has completed and the flush happens as soon as the branch completes)
- Potential problems: ?

Managing Register Names

Temporary values are stored in the register file and not the ROB



At the start, R1-R32 can be found in P1-P32
Instructions stop entering the pipeline when P64 is assigned

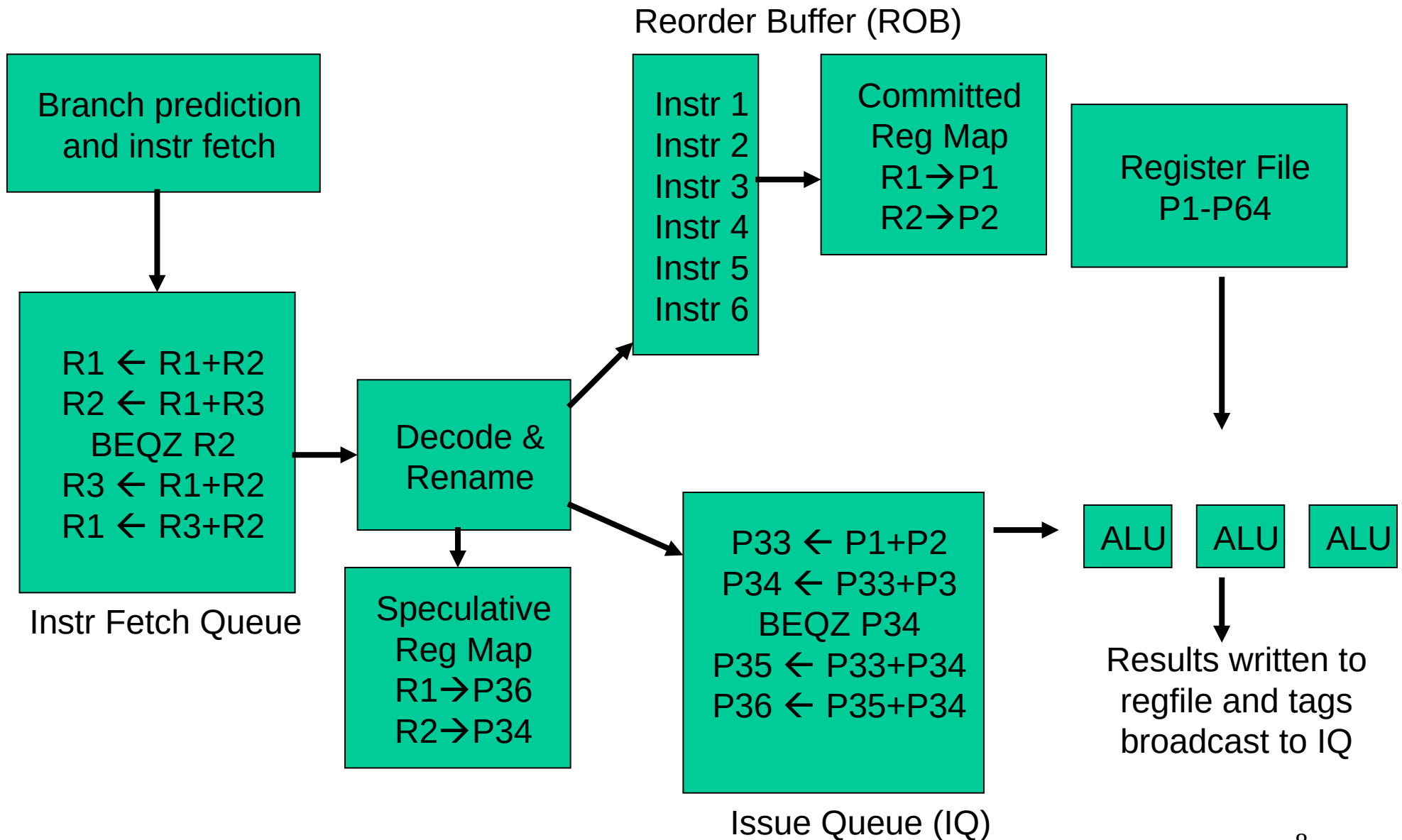


What happens on commit?

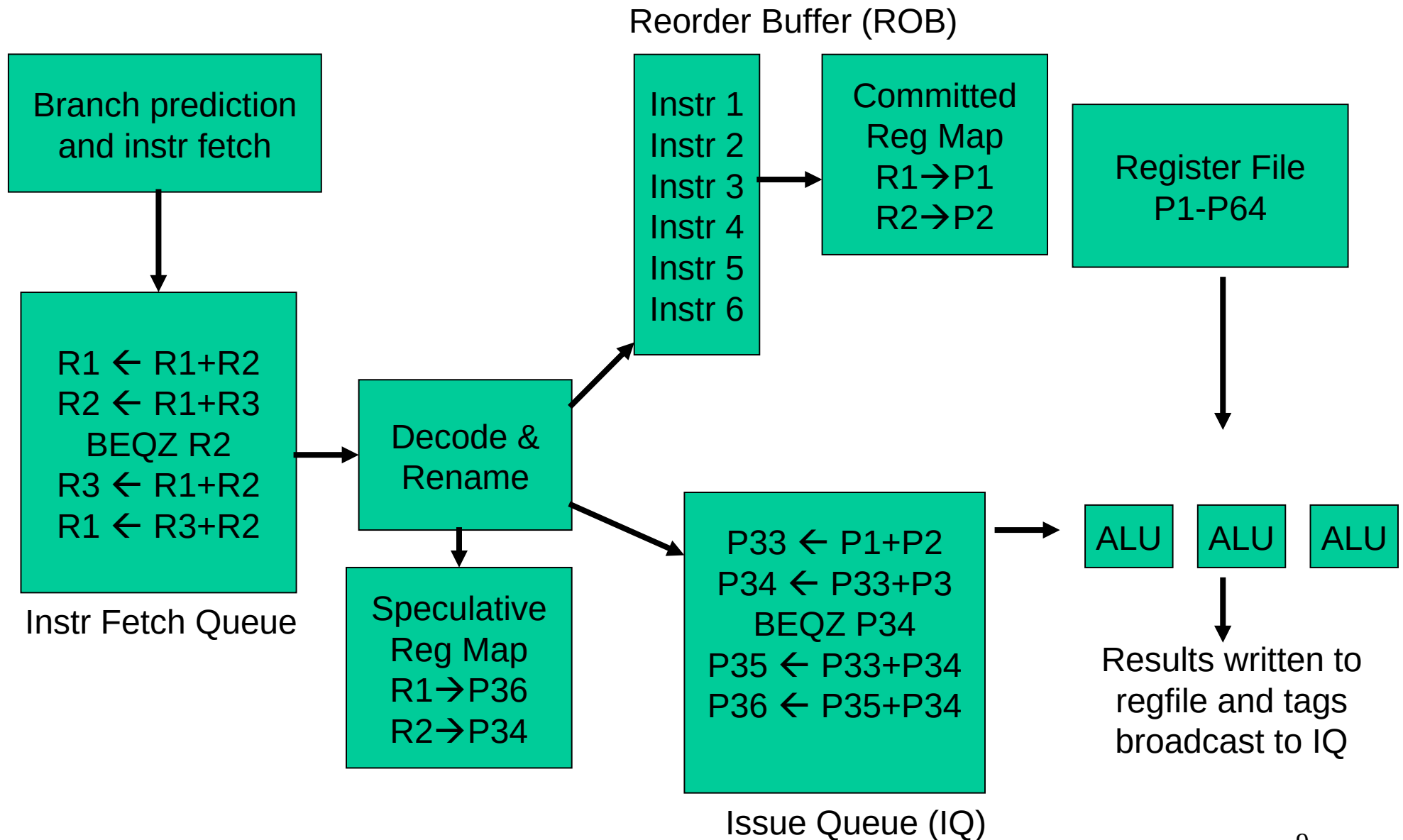
The Commit Process

- On commit, no copy is required
- The register map table is updated – the “committed” value of R1 is now in P33 and not P1 – on an exception, P33 is copied to memory and not P1
- An instruction in the issue queue need not modify its input operand when the producer commits
- When instruction-1 commits, we no longer have any use for P1 – it is put in a free pool and a new instruction can now enter the pipeline → for every instr that commits, a new instr can enter the pipeline → number of in-flight instrs is a constant = number of extra (rename) registers

The Alpha 21264 Out-of-Order Implementation

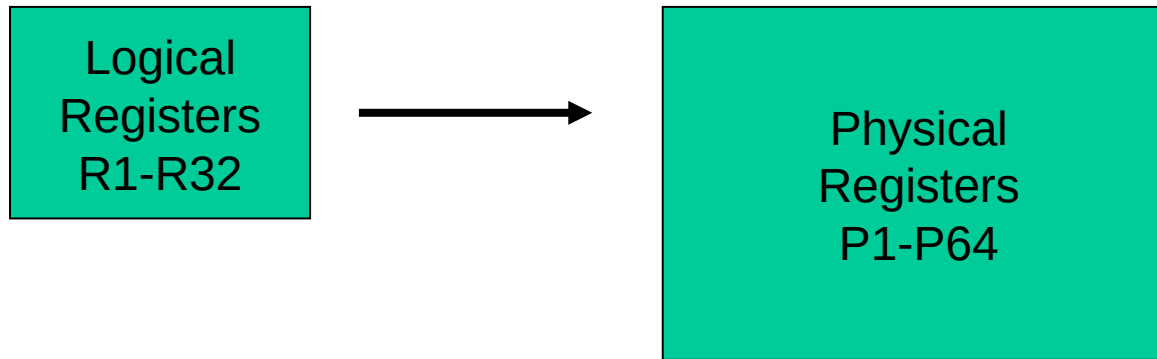


The Alpha 21264 Out-of-Order Implementation

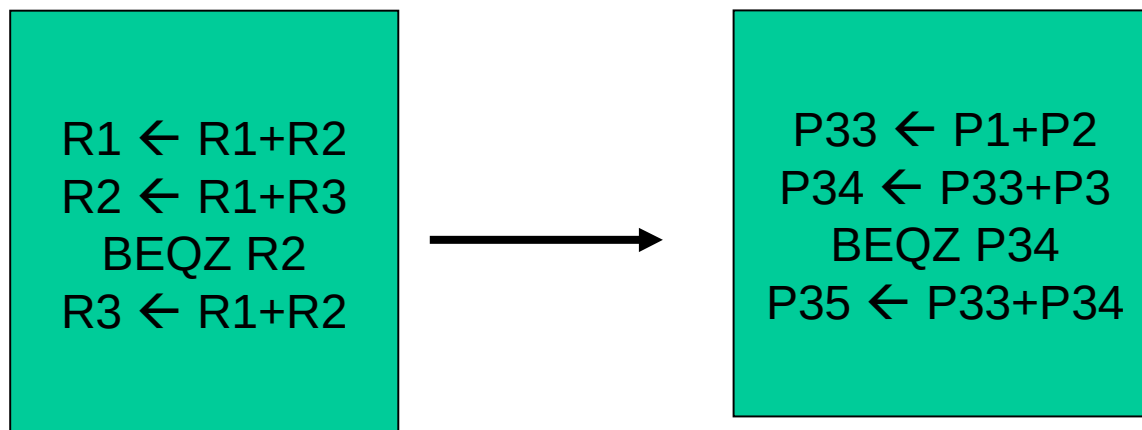


Managing Register Names

Temporary values are stored in the register file and not the ROB



At the start, R1-R32 can be found in P1-P32
Instructions stop entering the pipeline when P64 is assigned



What happens on commit?

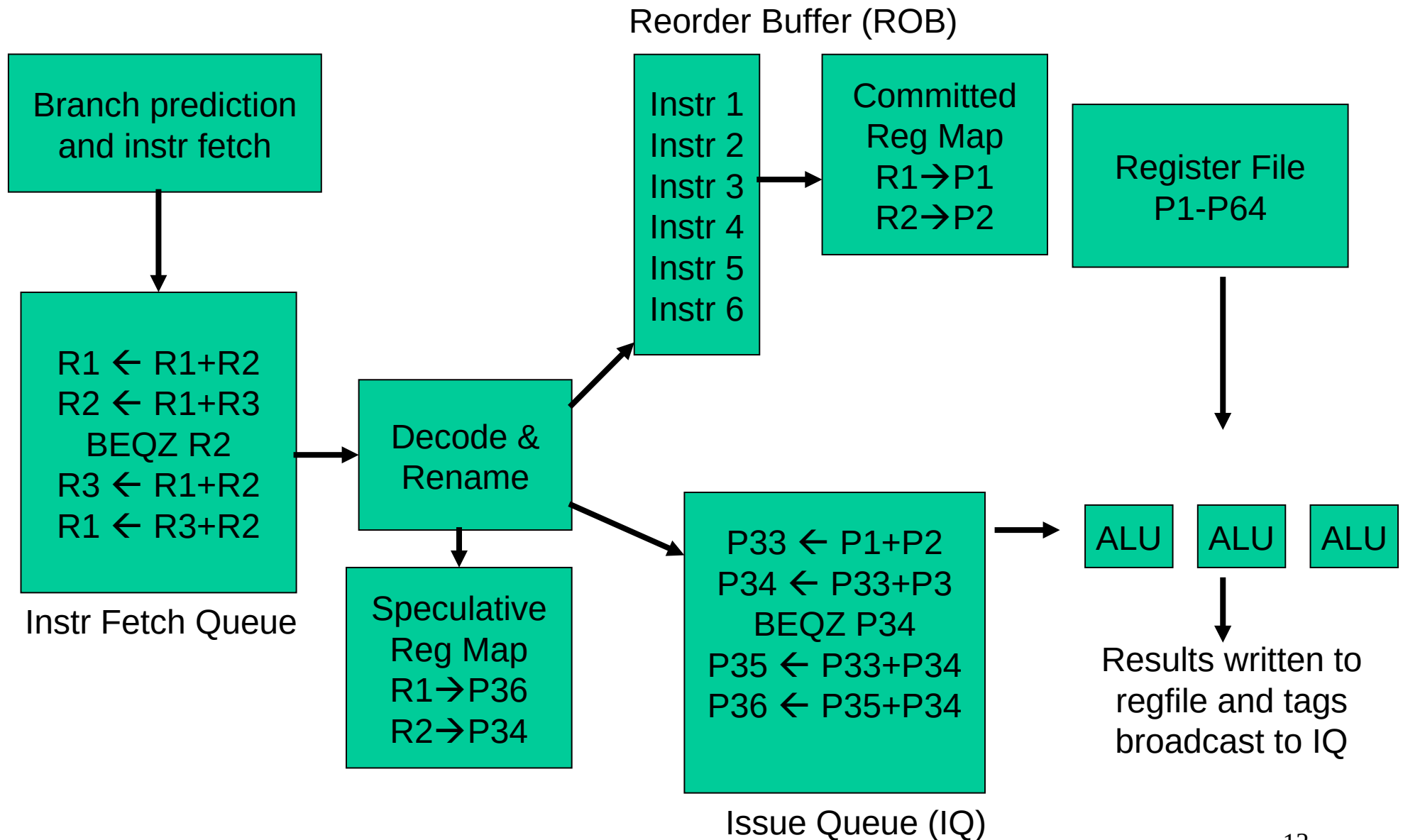
The Commit Process

- On commit, no copy is required
- The register map table is updated – the “committed” value of R1 is now in P33 and not P1 – on an exception, P33 is copied to memory and not P1
- An instruction in the issue queue need not modify its input operand when the producer commits
- When instruction-1 commits, we no longer have any use for P1 – it is put in a free pool and a new instruction can now enter the pipeline → for every instr that commits, a new instr can enter the pipeline → number of in-flight instrs is a constant = number of extra (rename) registers

Additional Details

- When does the decode stage stall? When we either run out of registers, or ROB entries, or issue queue entries
- Issue width: the number of instructions handled by each stage in a cycle. High issue width → high peak ILP
- Window size: the number of in-flight instructions in the pipeline. Large window size → high ILP
- No more WAR and WAW hazards because of rename registers – must only worry about RAW hazards

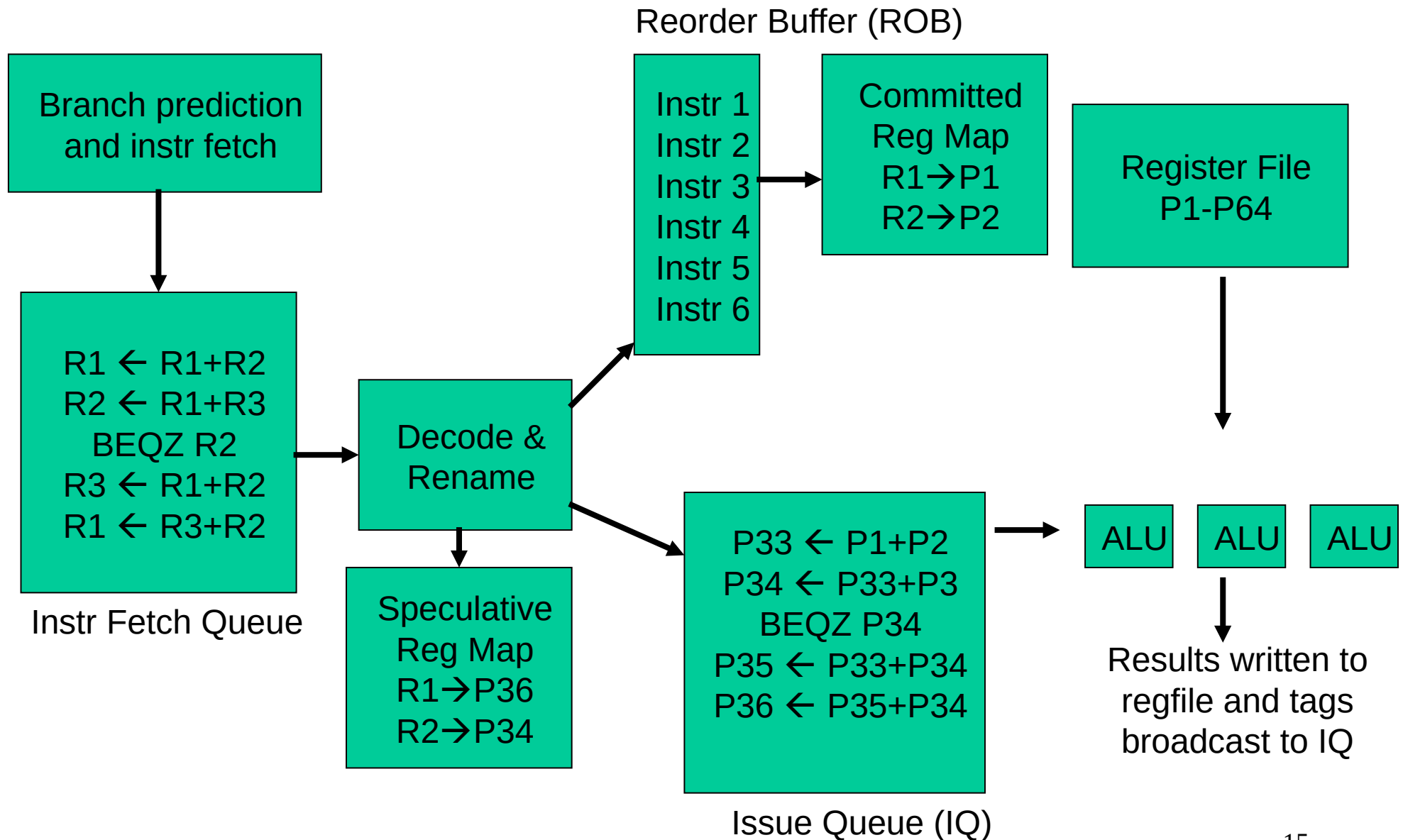
The Alpha 21264 Out-of-Order Implementation



Additional Details

- When does the decode stage stall? When we either run out of registers, or ROB entries, or issue queue entries
- Issue width: the number of instructions handled by each stage in a cycle. High issue width → high peak ILP
- Window size: the number of in-flight instructions in the pipeline. Large window size → high ILP
- No more WAR and WAW hazards because of rename registers – must only worry about RAW hazards

The Alpha 21264 Out-of-Order Implementation



Branch Mispredict Recovery

- On a branch mispredict, must roll back the processor state: throw away IFQ contents, ROB/IQ contents after branch
- Committed map table is correct and need not be fixed
- The speculative map table needs to go back to an earlier state
- To facilitate this spec-map-table rollback, it is checkpointed at every branch

Waking Up a Dependent

- In an in-order pipeline, an instruction leaves the decode stage when it is known that the inputs can be correctly received, not when the inputs are computed
- Similarly, an instruction leaves the issue queue before its inputs are known, i.e., wakeup is speculative based on the expected latency of the producer instruction

Out-of-Order Loads/Stores

Ld	R1 ← [R2]
Ld	R3 ← [R4]
St	R5 → [R6]
Ld	R7 ← [R8]
Ld	R9 ← [R10]

What if the issue queue also had load/store instructions?
Can we continue executing instructions out-of-order?

Memory Dependence Checking

Ld	0x abcdef
Ld	
St	
Ld	
Ld	0x abcdef
St	0x abcd00
Ld	0x abc000
Ld	0x abcd00

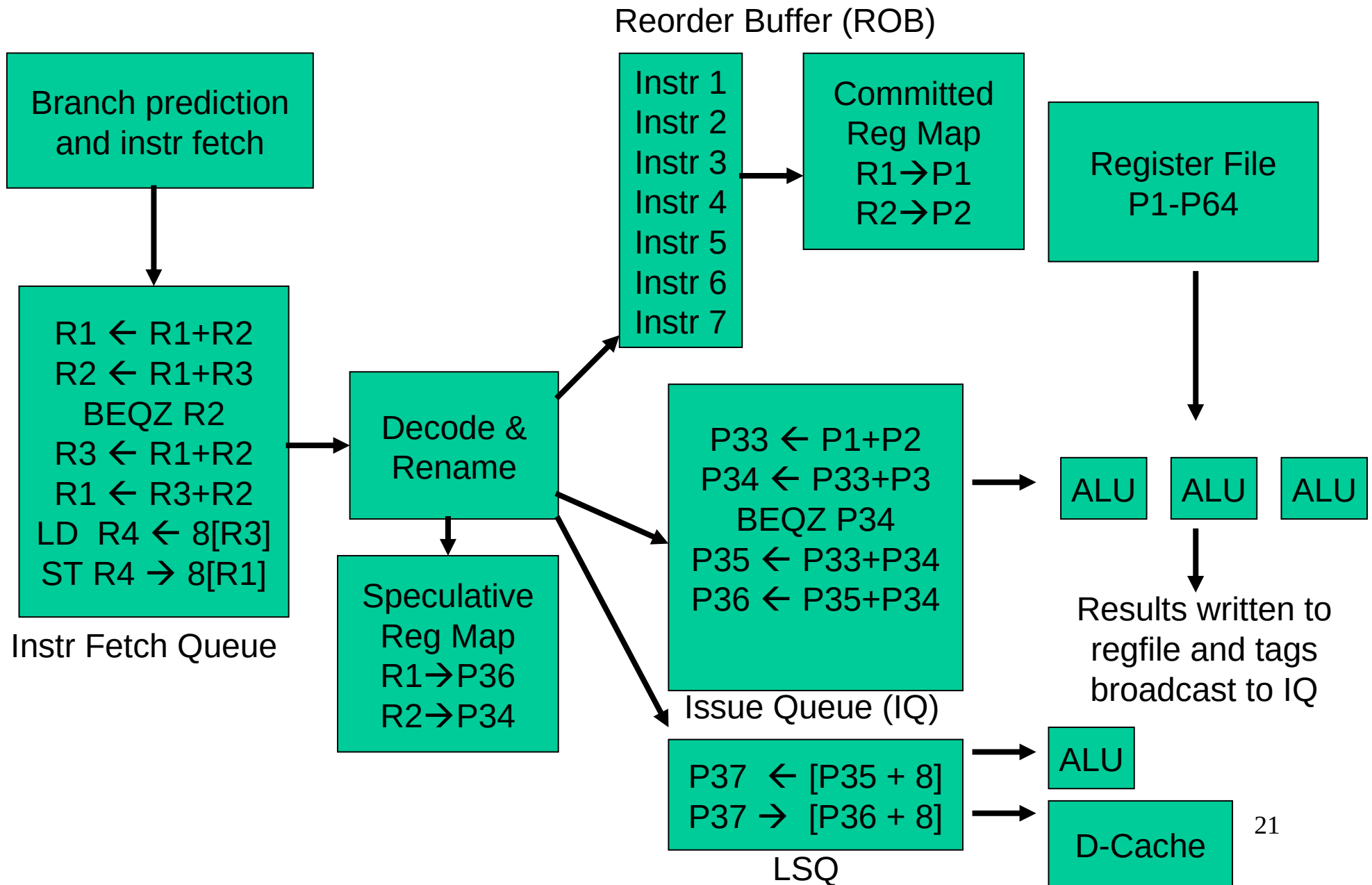
- The issue queue checks for register dependences and executes instructions as soon as registers are ready
- Loads/stores access memory as well – must check for RAW, WAW, and WAR hazards for memory as well
- Hence, first check for register dependences to compute effective addresses; then check for memory dependences

Memory Dependence Checking

Ld	0x abcdef
Ld	
St	
Ld	
Ld	0x abcdef
St	0x abcd00
Ld	0x abc000
Ld	0x abcd00

- Load and store addresses are maintained in program order in the Load/Store Queue (LSQ)
- Loads can issue if they are guaranteed to not have true dependences with earlier stores
- Stores can issue only if we are ready to modify memory (can not recover if an earlier instr raises an exception)

The Alpha 21264 Out-of-Order Implementation

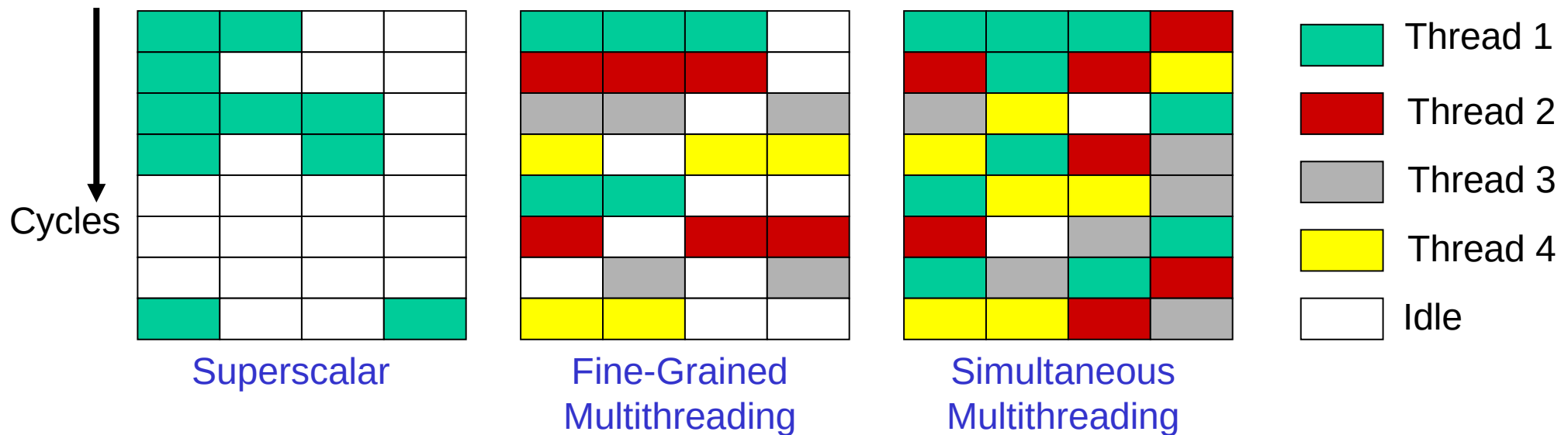


Thread-Level Parallelism

- Motivation:
 - a single thread leaves a processor under-utilized for most of the time
 - by doubling processor area, single thread performance barely improves
- Strategies for thread-level parallelism:
 - multiple threads share the same large processor → reduces under-utilization, efficient resource allocation
Simultaneous Multi-Threading (SMT)
 - each thread executes on its own mini processor → simple design, low interference between threads
Chip Multi-Processing (CMP) or multi-core

How are Resources Shared?

Each box represents an issue slot for a functional unit. Peak thruput is 4 IPC.

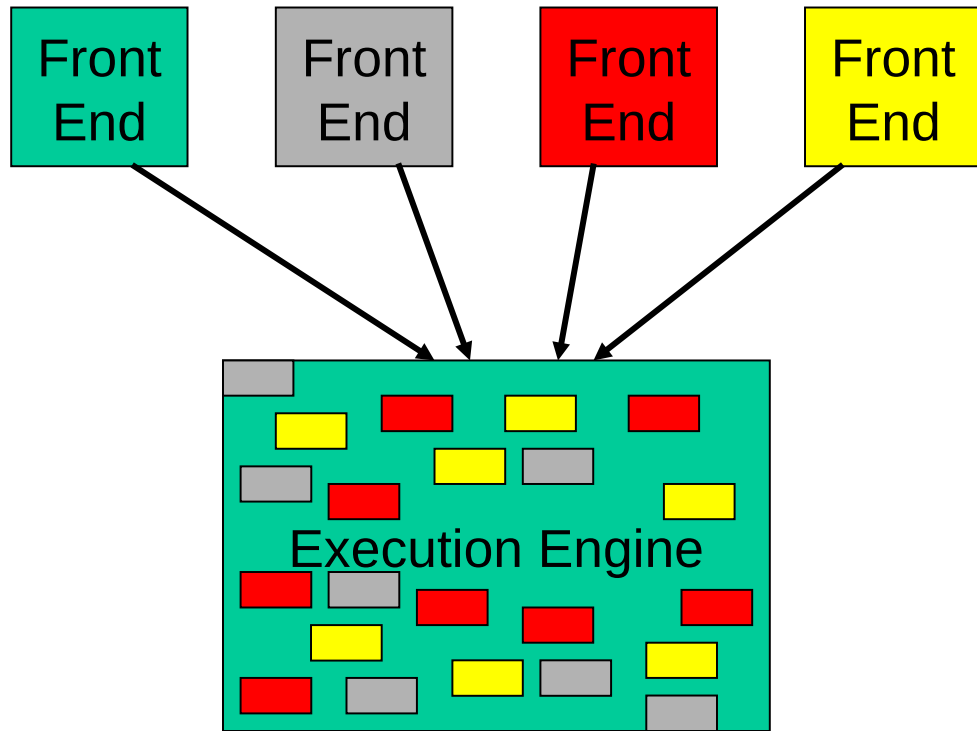


- Superscalar processor has high under-utilization – not enough work every cycle, especially when there is a cache miss
- Fine-grained multithreading can only issue instructions from a single thread in a cycle – can not find max work every cycle, but cache misses can be tolerated
- Simultaneous multithreading can issue instructions from any thread every cycle – has the highest probability of finding work for every issue slot

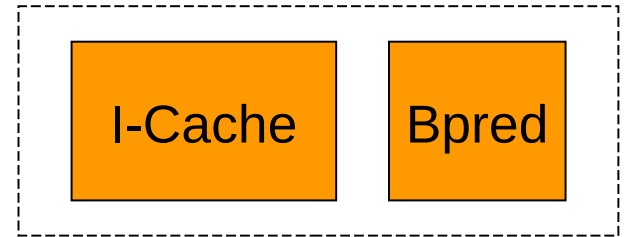
What Resources are Shared?

- Multiple threads are simultaneously active (in other words, a new thread can start without a context switch)
- For correctness, each thread needs its own PC, IFQ, logical regs (and its own mappings from logical to phys regs)
- For performance, each thread could have its own ROB/LSQ (so that a stall in one thread does not stall commit in other threads), I-cache, branch predictor, D-cache, etc. (for low interference), although note that more sharing → better utilization of resources
- Each additional thread costs a PC, IFQ, rename tables, and ROB – cheap!

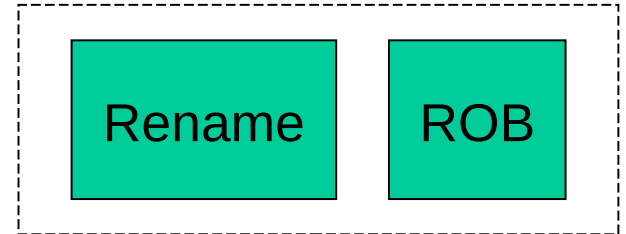
Pipeline Structure



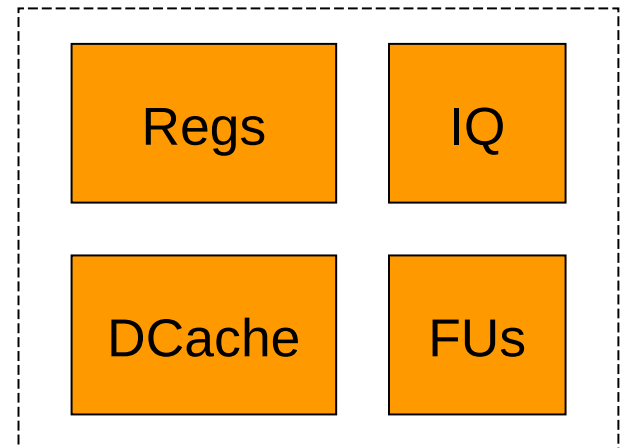
Private/
Shared
Front-end



Private
Front-end



Shared
Exec Engine



Resource Sharing

Thread-1

$R1 \leftarrow R1 + R2$
 $R3 \leftarrow R1 + R4$
 $R5 \leftarrow R1 + R3$

Instr Fetch

Instr Fetch

$R2 \leftarrow R1 + R2$
 $R5 \leftarrow R1 + R2$
 $R3 \leftarrow R5 + R3$

Thread-2

$P65 \leftarrow P1 + P2$
 $P66 \leftarrow P65 + P4$
 $P67 \leftarrow P65 + P66$

Instr Rename

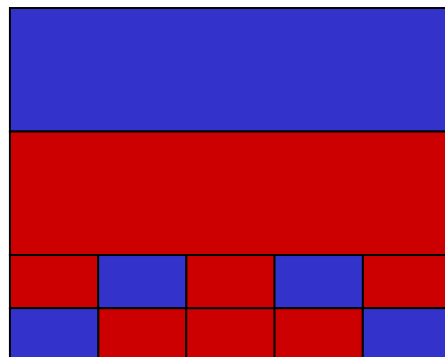
Instr Rename

$P76 \leftarrow P33 + P34$
 $P77 \leftarrow P33 + P76$
 $P78 \leftarrow P77 + P35$

Issue Queue

$P65 \leftarrow P1 + P2$
 $P66 \leftarrow P65 + P4$
 $P67 \leftarrow P65 + P66$
 $P76 \leftarrow P33 + P34$
 $P77 \leftarrow P33 + P76$
 $P78 \leftarrow P77 + P35$

Register File



Performance Implications of SMT

- Single thread performance is likely to go down (caches, branch predictors, registers, etc. are shared) – this effect can be mitigated by trying to prioritize one thread
- While fetching instructions, thread priority can dramatically influence total throughput – a widely accepted heuristic (ICOUNT): fetch such that each thread has an equal share of processor resources
- With eight threads in a processor with many resources, SMT yields throughput improvements of roughly 2-4

Pentium4 Hyper-Threading

- Two threads – the Linux operating system operates as if it is executing on a two-processor system
- When there is only one available thread, it behaves like a regular single-threaded superscalar processor
- Statically divided resources: ROB, LSQ, issueq -- a slow thread will not cripple throughput (might not scale)
- Dynamically shared: trace cache and decode (fine-grained multi-threaded, round-robin), FUs, data cache, bpred

Multi-Programmed Speedup

Benchmark	Best Speedup	Worst Speedup	Avg Speedup
gzip	1.48	1.14	1.24
vpr	1.43	1.04	1.17
gcc	1.44	1.00	1.11
mcf	1.57	1.01	1.21
crafty	1.40	0.99	1.17
parser	1.44	1.09	1.18
eon	1.42	1.07	1.25
perlbmk	1.40	1.07	1.20
gap	1.43	1.17	1.25
vortex	1.41	1.01	1.13
bzip2	1.47	1.15	1.24
twolf	1.48	1.02	1.16
wupwise	1.33	1.12	1.24
swim	1.58	0.90	1.13
mgrid	1.28	0.94	1.10
applu	1.37	1.02	1.16
mesa	1.39	1.11	1.22
galgel	1.47	1.05	1.25
art	1.55	0.90	1.13
equake	1.48	1.02	1.21
facerec	1.39	1.16	1.25
ammp	1.40	1.09	1.21
lucas	1.36	0.97	1.13
fma3d	1.34	1.13	1.20
sixtrack	1.58	1.28	1.42
apsi	1.40	1.14	1.23
Overall	1.58	0.90	1.20

- sixtrack and eon do not degrade their partners (small working sets?)
- swim and art degrade their partners (cache contention?)
- Best combination: swim & sixtrack
worst combination: swim & art
- Static partitioning ensures low interference – worst slowdown is 0.9

Problem 2

- Show the renamed version of the following code:
Assume that you have 36 physical registers and 32 architected registers

R1 \leftarrow R2+R3

R3 \leftarrow R4+R5

BEQZ R1

R1 \leftarrow R1 + R3

R1 \leftarrow R1 + R3

R3 \leftarrow R1 + R3

R4 \leftarrow R3 + R1

Problem 2

- Show the renamed version of the following code:
Assume that you have 36 physical registers and 32 architected registers

R1 \leftarrow R2+R3

R3 \leftarrow R4+R5

BEQZ R1

R1 \leftarrow R1 + R3

R1 \leftarrow R1 + R3

R3 \leftarrow R1 + R3

R4 \leftarrow R3 + R1

P33 \leftarrow P2+P3

P34 \leftarrow P4+P5

BEQZ P33

P35 \leftarrow P33+P34

P36 \leftarrow P35+P34

P1 \leftarrow P36+P34

P3 \leftarrow P1+P36

Problem 3

- Show the renamed version of the following code:
Assume that you have 36 physical registers and 32 architected registers. When does each instr leave the IQ?

R1 \leftarrow R2+R3

R1 \leftarrow R1+R5

BEQZ R1

R1 \leftarrow R4 + R5

R4 \leftarrow R1 + R7

R1 \leftarrow R6 + R8

R4 \leftarrow R3 + R1

R1 \leftarrow R5 + R9

Problem 3

- Show the renamed version of the following code:
Assume that you have 36 physical registers and 32 architected registers. When does each instr leave the IQ?

R1 \leftarrow R2+R3

R1 \leftarrow R1+R5

BEQZ R1

R1 \leftarrow R4 + R5

R4 \leftarrow R1 + R7

R1 \leftarrow R6 + R8

R4 \leftarrow R3 + R1

R1 \leftarrow R5 + R9

P33 \leftarrow P2+P3

P34 \leftarrow P33+P5

BEQZ P34

P35 \leftarrow P4+P5

P36 \leftarrow P35+P7

P1 \leftarrow P6+P8

P33 \leftarrow P3+P1

P34 \leftarrow P5+P9

Problem 3

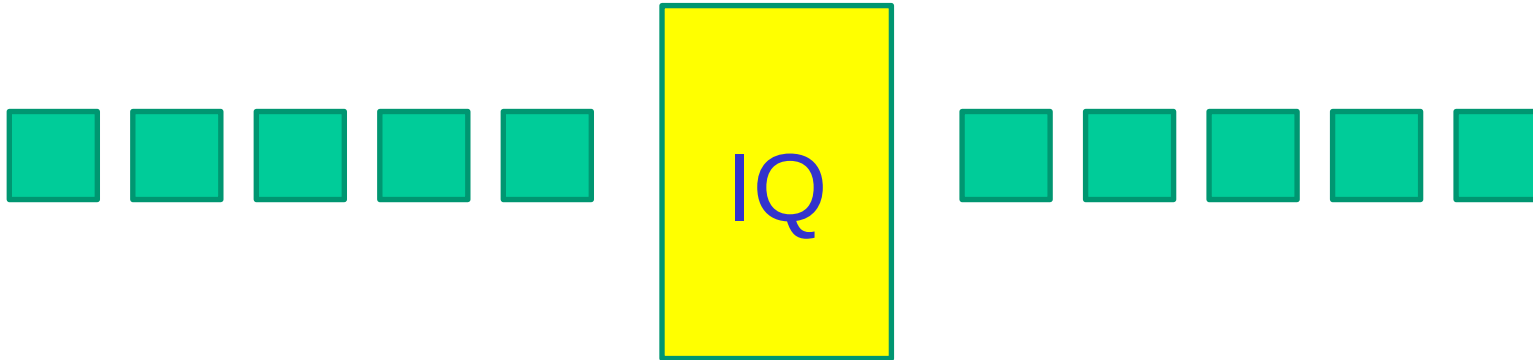
- Show the renamed version of the following code:
Assume that you have 36 physical registers and 32 architected registers. When does each instr leave the IQ?

R1 \leftarrow R2+R3	P33 \leftarrow P2+P3	cycle i
R1 \leftarrow R1+R5	P34 \leftarrow P33+P5	i+1
BEQZ R1	BEQZ P34	i+2
R1 \leftarrow R4 + R5	P35 \leftarrow P4+P5	i
R4 \leftarrow R1 + R7	P36 \leftarrow P35+P7	i+1
R1 \leftarrow R6 + R8	P1 \leftarrow P6+P8	j
R4 \leftarrow R3 + R1	P33 \leftarrow P3+P1	j+1
R1 \leftarrow R5 + R9	P34 \leftarrow P5+P9	j+2

Width is assumed to be 4.

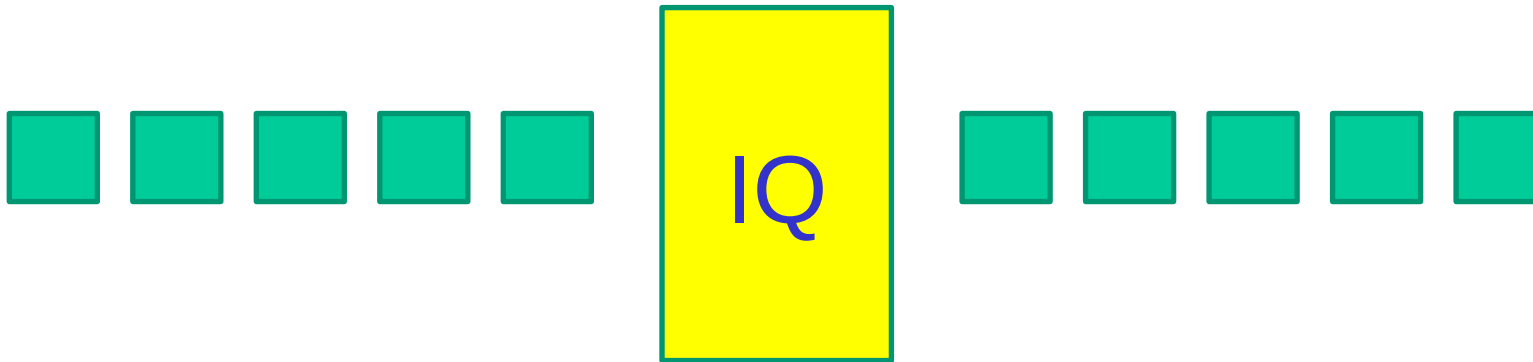
j depends on the #stages between issue and commit.

OOO Example



- Assume there are 36 physical registers and 32 logical registers, and width is 4
- Estimate the issue time, completion time, and commit time for the sample code

Assumptions

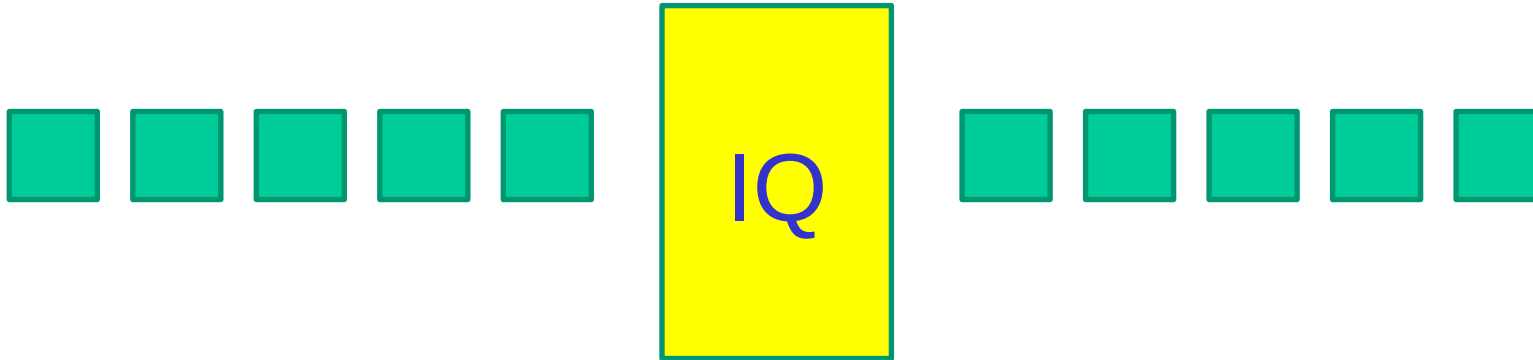


- Perfect branch prediction, instruction fetch, caches

ADD -> dep has no stall; LD → dep has one stall

- An instr is placed in the IQ at the end of its 5th stage, an instr takes 5 more stages after leaving the IQ (ld/st instrs take 6 more stages after leaving the IQ)

OOO Example

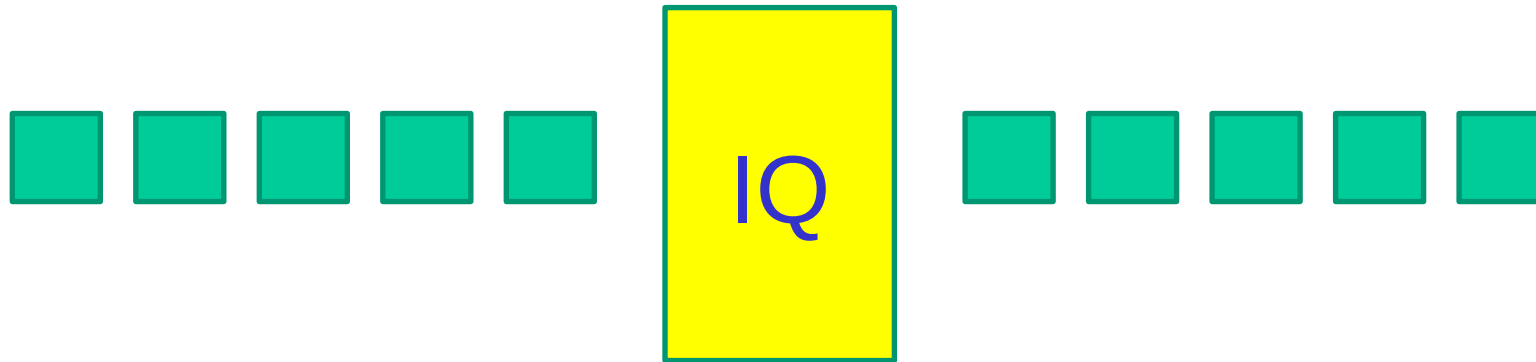


Original code

```
ADD R1, R2, R3
LD R2, 8(R1)
ADD R2, R2, 8
ST R1, (R3)
SUB R1, R1, R5
LD R1, 8(R2)
ADD R1, R1, R2
```

Renamed code

OOO Example



Original code

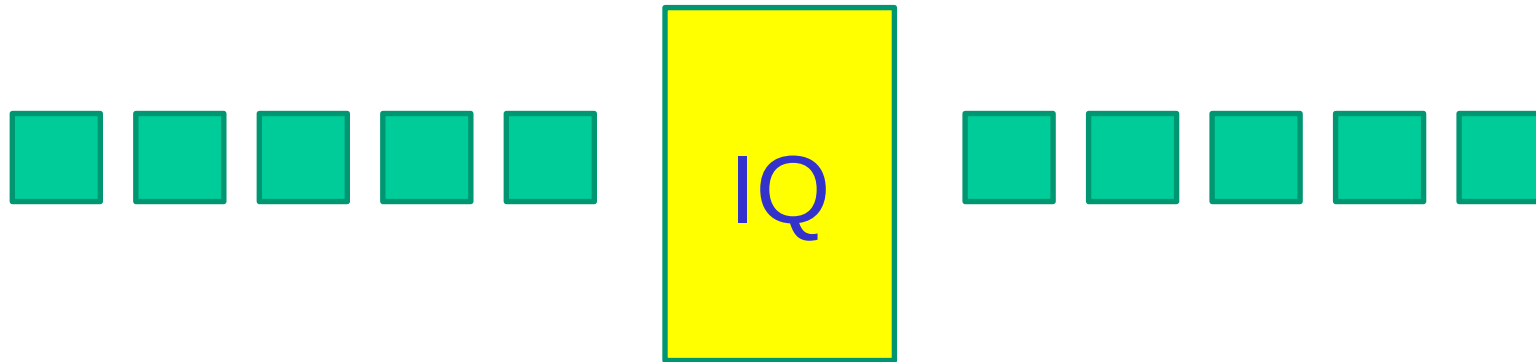
```
ADD R1, R2, R3
LD R2, 8(R1)
ADD R2, R2, 8
ST R1, (R3)
SUB R1, R1, R5
LD R1, 8(R2)
ADD R1, R1, R2
```

Renamed code

```
ADD P33, P2, P3
LD P34, 8(P33)
ADD P35, P34, 8
ST P33, (P3)
SUB P36, P33, P5
```

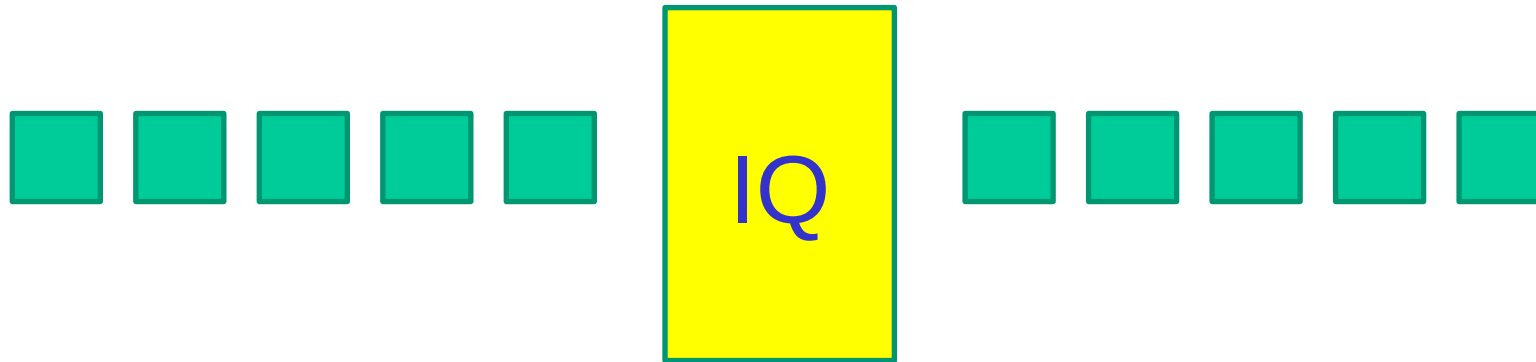
Must wait

OOO Example



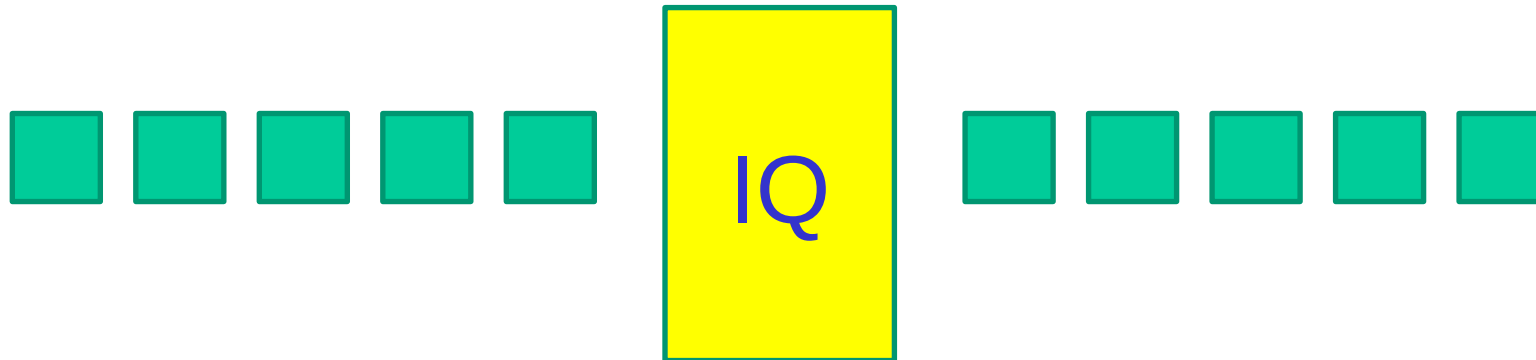
Original code	Renamed code	InQ	Iss	Comp	Comm
ADD R1, R2, R3	ADD P33, P2, P3				
LD R2, 8(R1)	LD P34, 8(P33)				
ADD R2, R2, 8	ADD P35, P34, 8				
ST R1, (R3)	ST P33, (P3)				
SUB R1, R1, R5	SUB P36, P33, P5				
LD R1, 8(R2)					
ADD R1, R1, R2					

OOO Example



Original code	Renamed code	InQ	Iss	Comp	Comm
ADD R1, R2, R3	ADD P33, P2, P3	i	i+1	i+6	i+6
LD R2, 8(R1)	LD P34, 8(P33)	i	i+2	i+8	i+8
ADD R2, R2, 8	ADD P35, P34, 8	i	i+4	i+9	i+9
ST R1, (R3)	ST P33, (P3)	i	i+2	i+8	i+9
SUB R1, R1, R5	SUB P36, P33, P5	i+1	i+2	i+7	i+9
LD R1, 8(R2)					
ADD R1, R1, R2					

OOO Example



Original code	Renamed code	InQ	Iss	Comp	Comm
ADD R1, R2, R3	ADD P33, P2, P3	i	i+1	i+6	i+6
LD R2, 8(R1)	LD P34, 8(P33)	i	i+2	i+8	i+8
ADD R2, R2, 8	ADD P35, P34, 8	i	i+4	i+9	i+9
ST R1, (R3)	ST P33, (P3)	i	i+2	i+8	i+9
SUB R1, R1, R5	SUB P36, P33, P5	i+1	i+2	i+7	i+9
LD R1, 8(R2)	LD P1, 8(P35)	i+7	i+8	i+14	i+14
ADD R1, R1, R2	ADD P2, P1, P35	i+9	i+10	i+15	i+15

Thank you!