

CS248P: Operating Systems

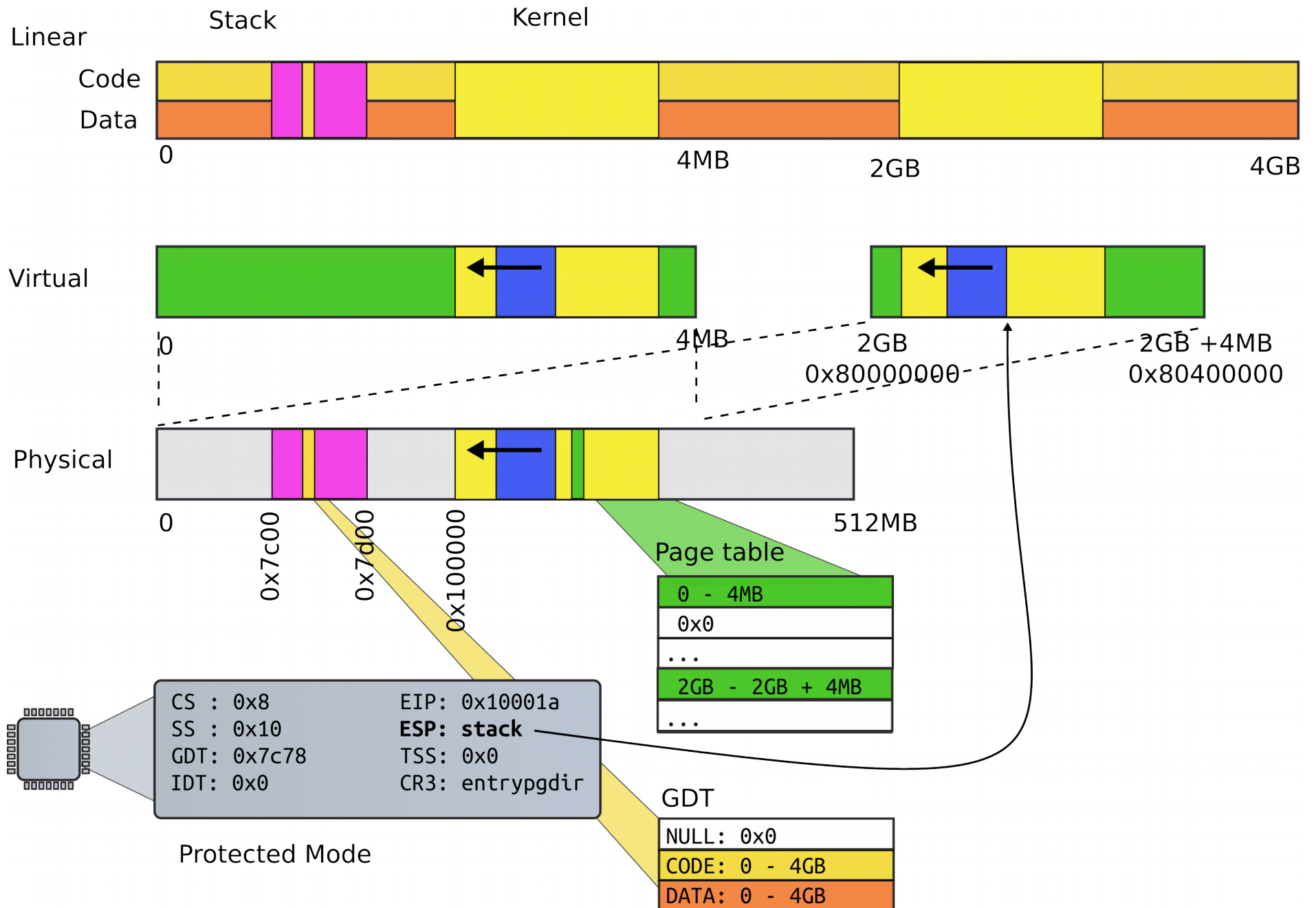
Lecture 7: Kernel Initialization

Anton Burtsev
April, 2018

Recap of the boot sequence

- Setup segments (data and code)
- Switched to protected mode
 - Loaded GDT (segmentation is on)
- Setup stack (to call C functions)
- Loaded kernel from disk
- Setup first page table
 - 2 entries [0 : 4MB] and [2GB : (2GB + 4MB)]
- Setup high-address stack
- Jumped to main()

State of the system after boot

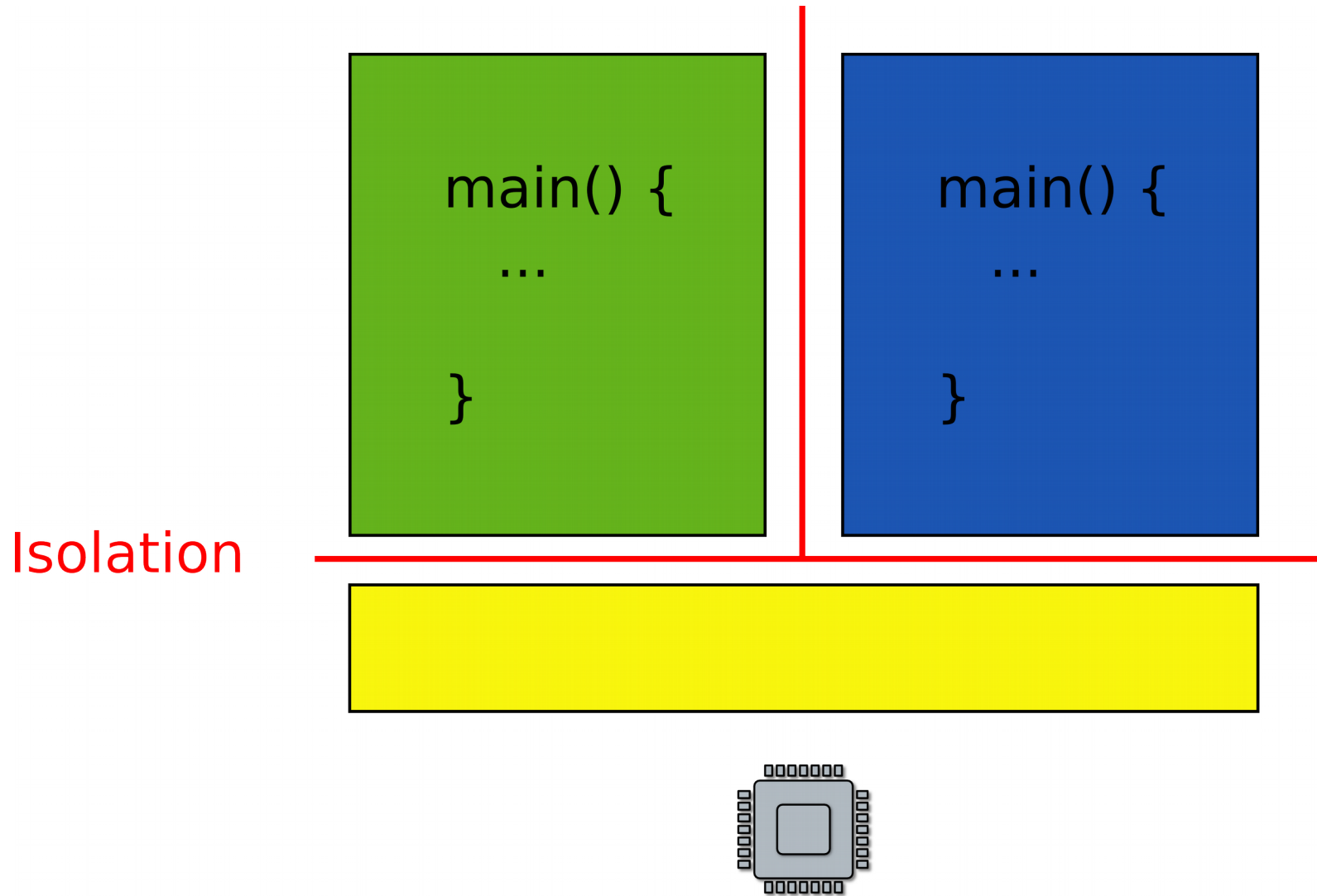


Running in main()

```
1313 // Bootstrap processor starts running C code here.
1314 // Allocate a real stack and switch to it, first
1315 // doing some setup required for memory allocator to work.
1316 int
1317 main(void)
1318 {
1319     kinit1(end, P2V(4*1024*1024)); // phys page allocator
1320     kvmalloc(); // kernel page table
1321     mpinit(); // detect other processors
1322     lapicinit(); // interrupt controller
1323     seginit(); // segment descriptors
1324     cprintf("\ncpu%d: starting xv6\n\n", cpunum());
    ...
1340 }
```

What's next?

We want to run multiple programs (processes)



But what is a process?

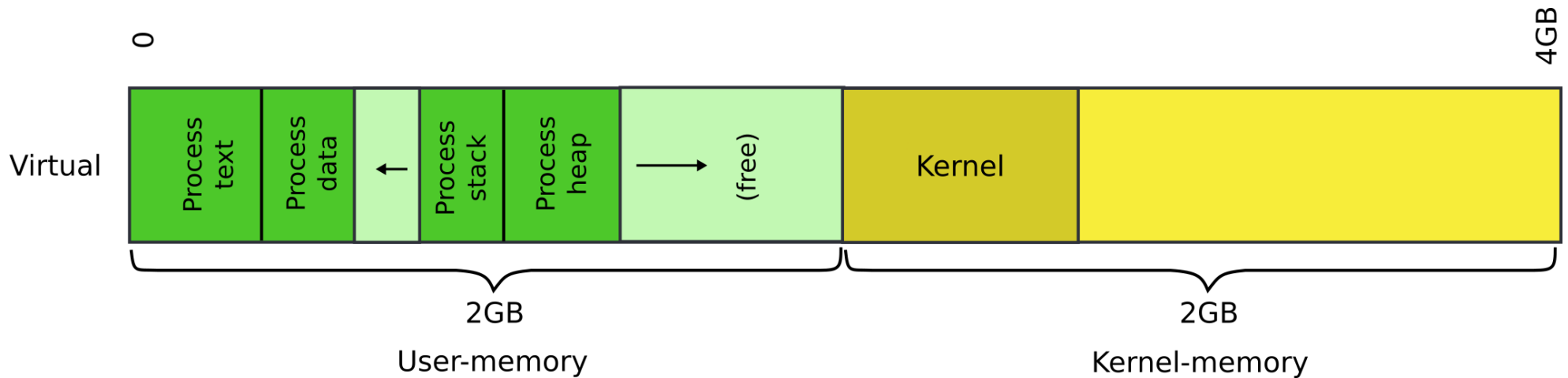
A couple of requirements

- Each process is a collection of resources
 - Memory
 - E.g., text, stack, heap
 - In-kernel state
 - E.g., open file descriptors, network sockets (connections)

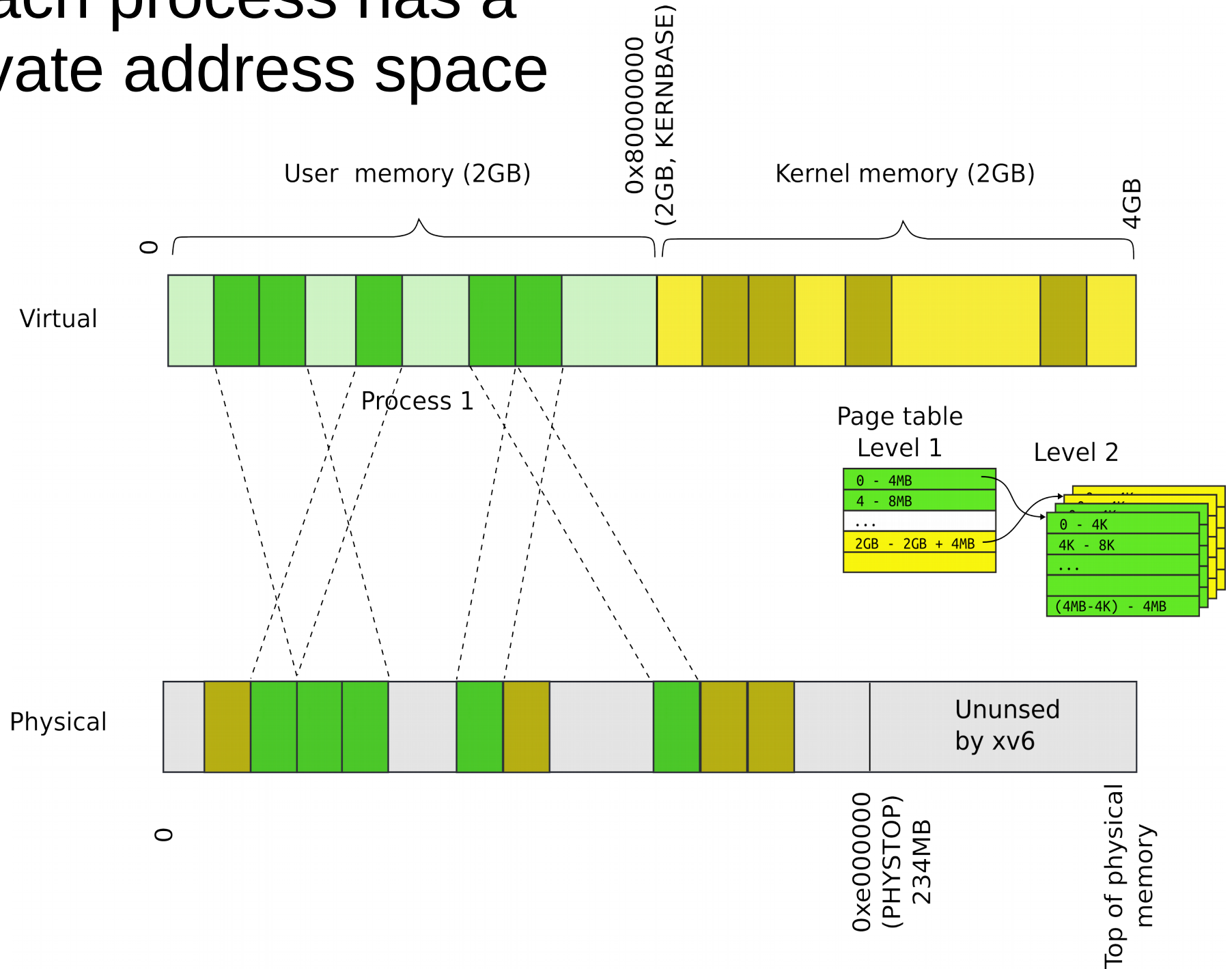
A couple of requirements

- Each process is a collection of resources
 - Memory
 - E.g., text, stack, heap
 - In-kernel state
 - E.g., open file descriptors, network sockets (connections)
- Processes are isolated from each other
 - Processes don't trust each other
 - Individual users, some privileged
 - Can't interfere with other processes
 - Can't change kernel (to affect other processes)

Each process will have a 2GB/2GB address space

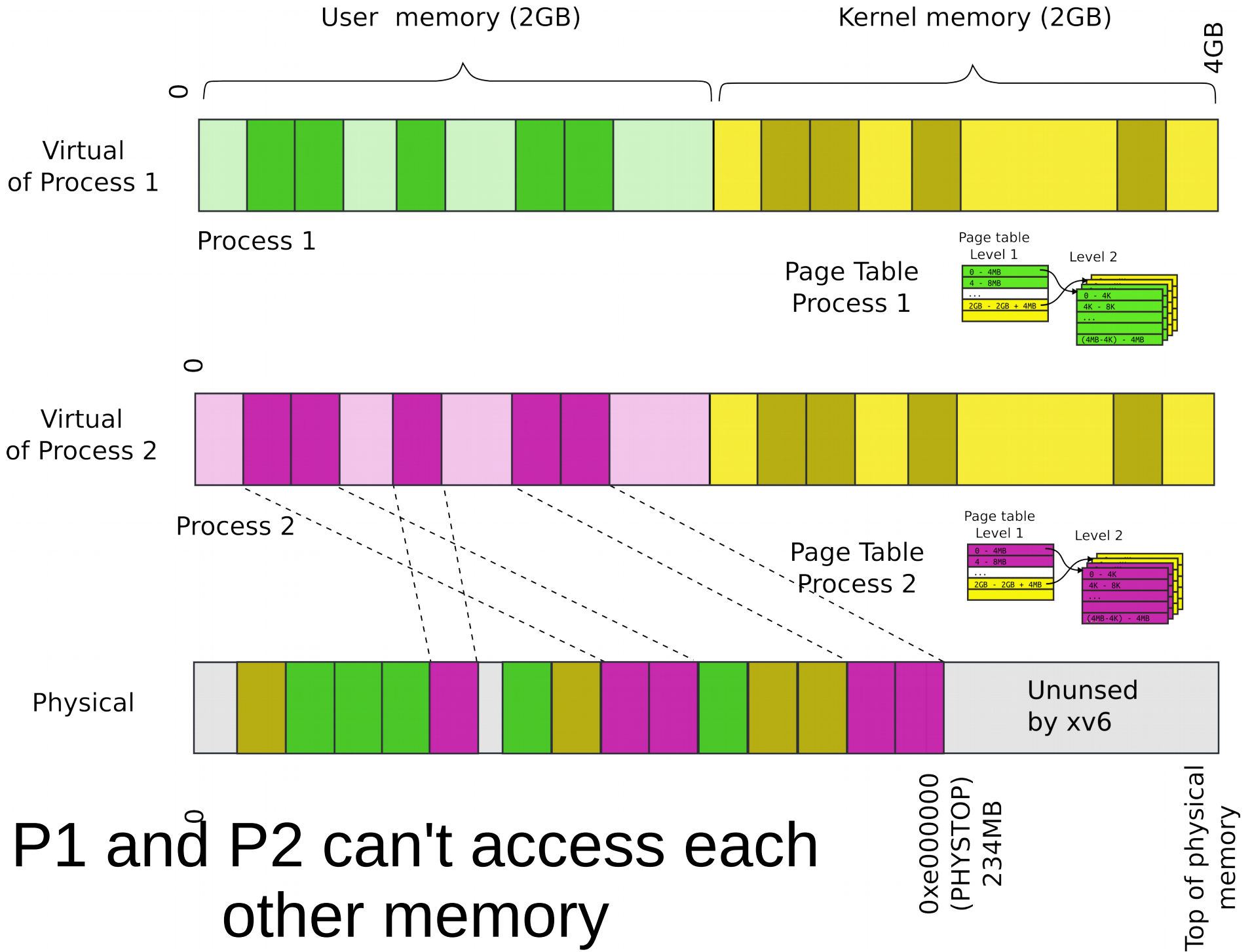


Each process has a private address space

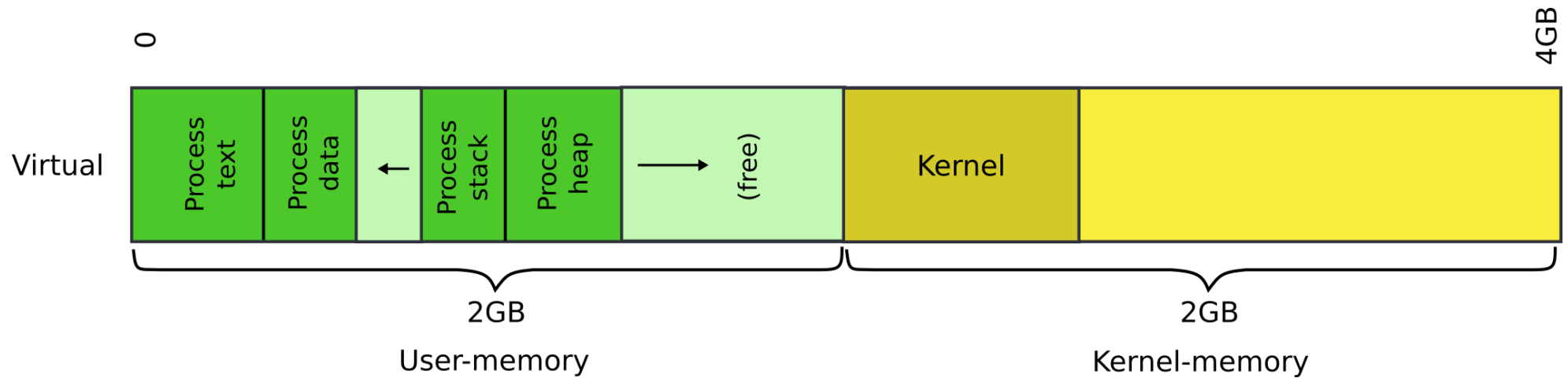


Each process maps the kernel

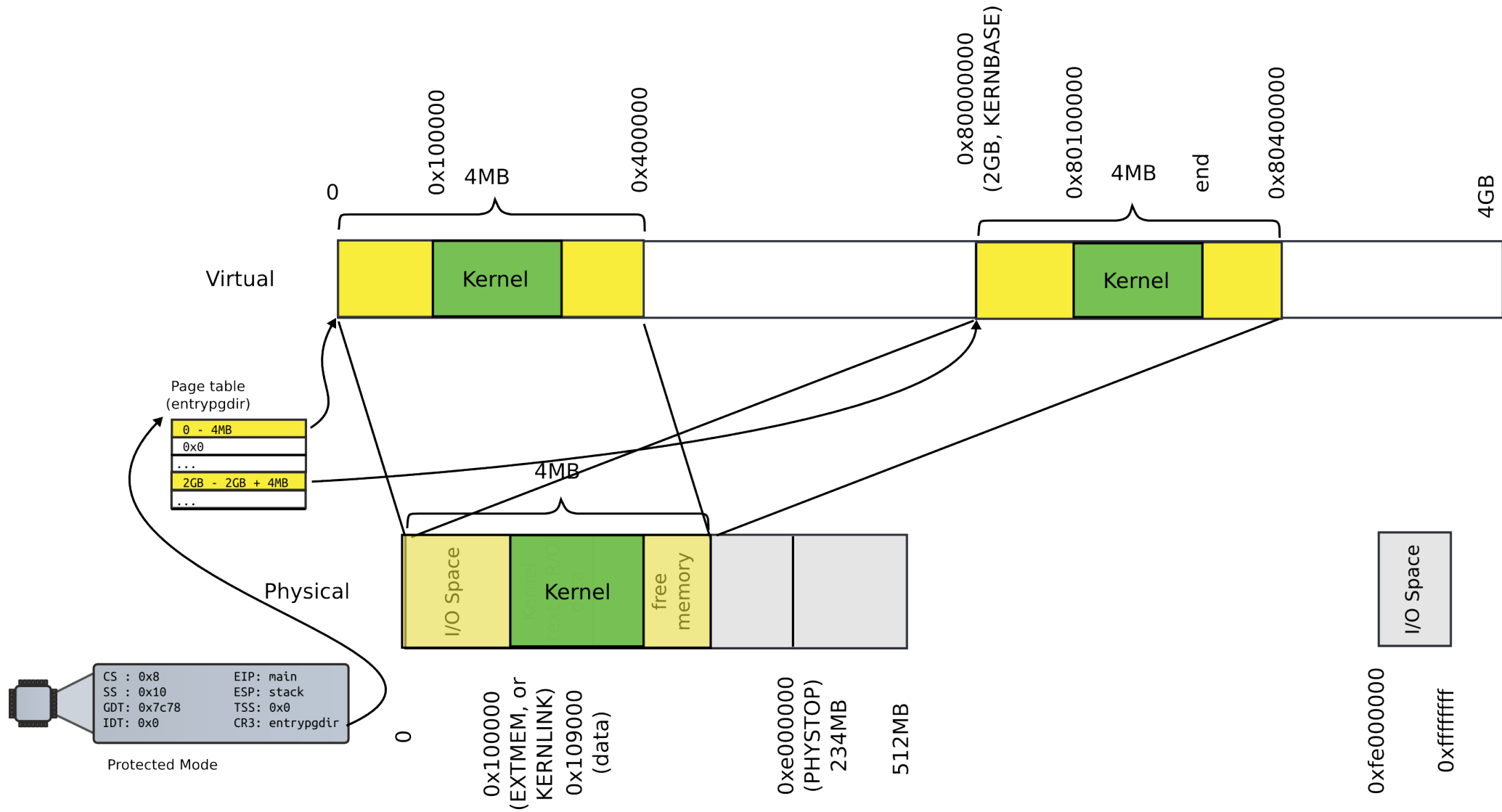
- It's not strictly required
 - But convenient for system calls
 - No need to change the page table when process enters the kernel with a system call
 - **Things are much faster!**



Our goal: 2GB/2GB address space



Memory after boot



Outline

- Create the kernel address space
 - Create kernel memory allocator
 - Allocate memory for page tables
 - Page table directory and page table level 2

Kernel memory allocator

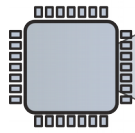
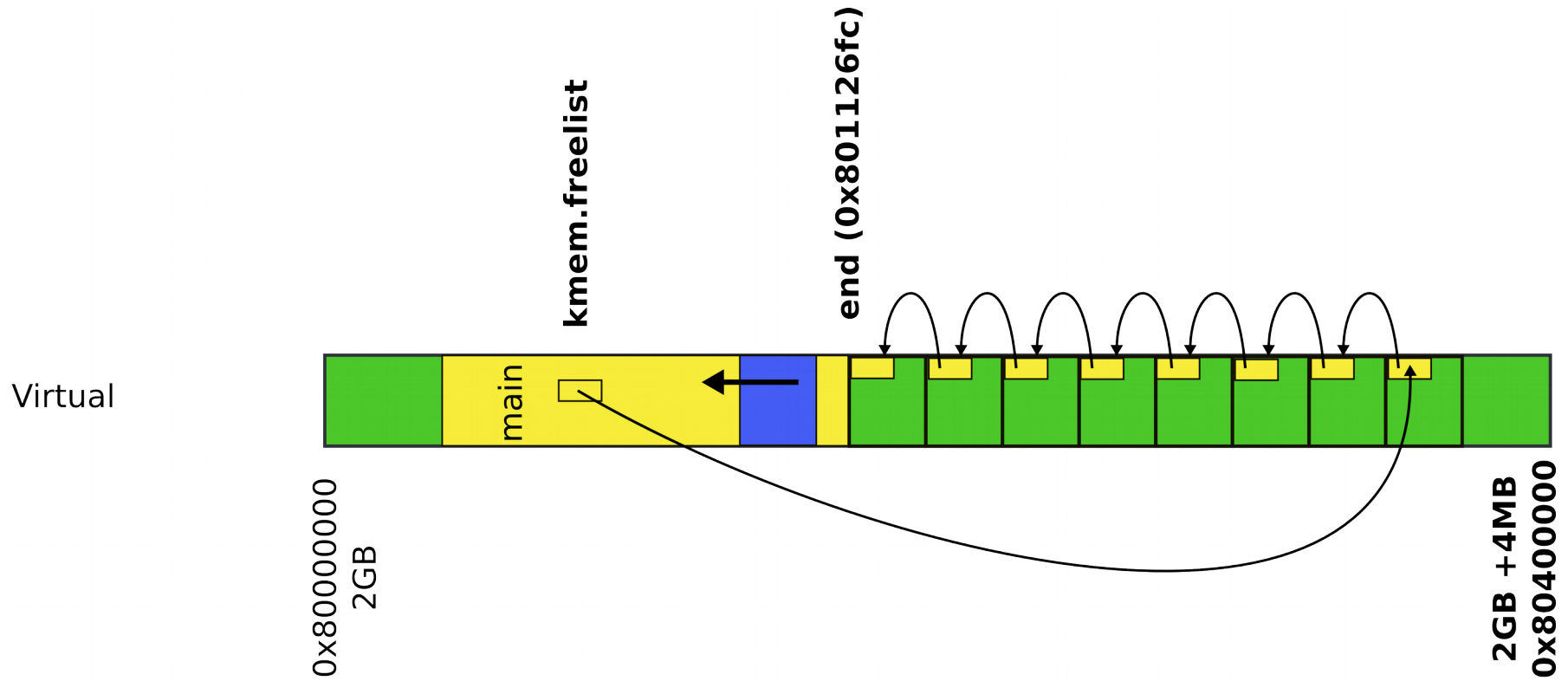
- Kernel needs normal 2 level, 4KB page table
 - Right now we have
 - One (statically allocated) page table
 - That has only two entries
 - And it is a page table for 4MB pages
- 4KB page table is a better choice
 - Xv6 processes are small
 - Wasting 4MB on a program that fits into 1KB is absurd
- But to create page tables we need memory
 - Where can it come from?

Simple memory allocator

- Goal:
 - `alloc()` and `free()`
 - To allocate page tables, stacks, data structures, etc.

What can it look like?

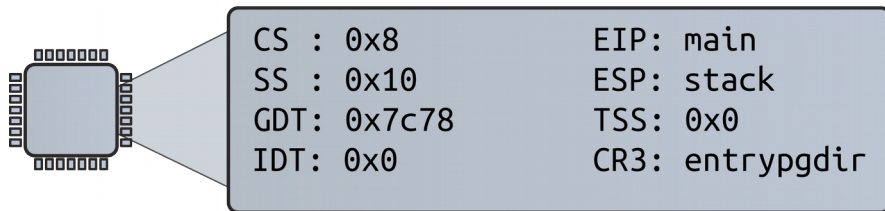
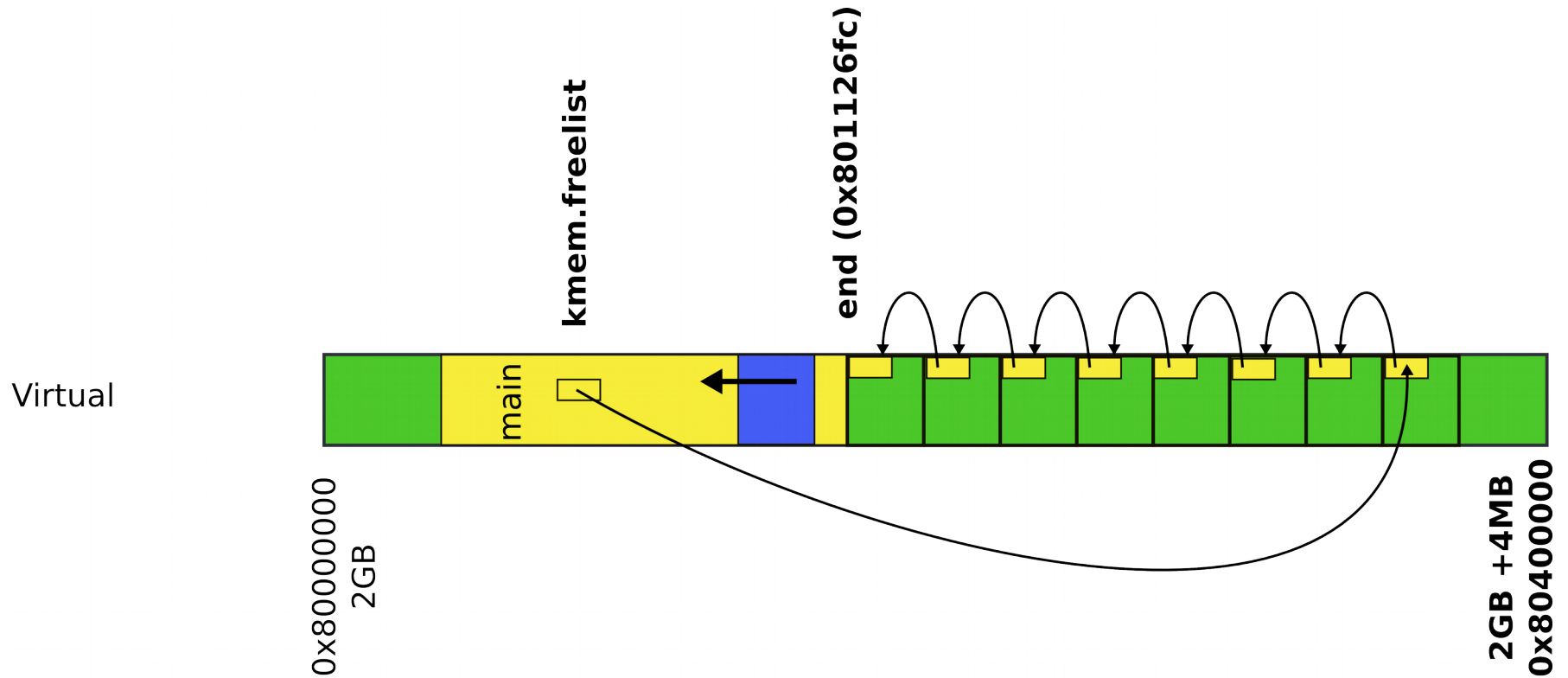
Page allocator



CS : 0x8	EIP: main
SS : 0x10	ESP: stack
GDT: 0x7c78	TSS: 0x0
IDT: 0x0	CR3: entrypgdir

Protected Mode

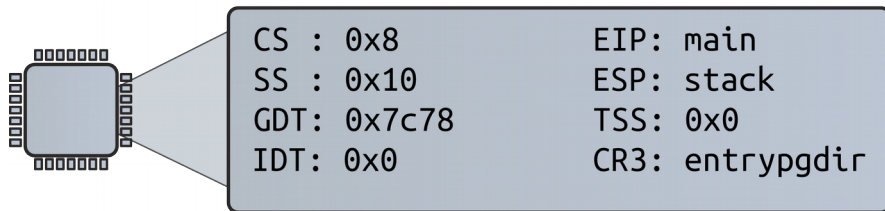
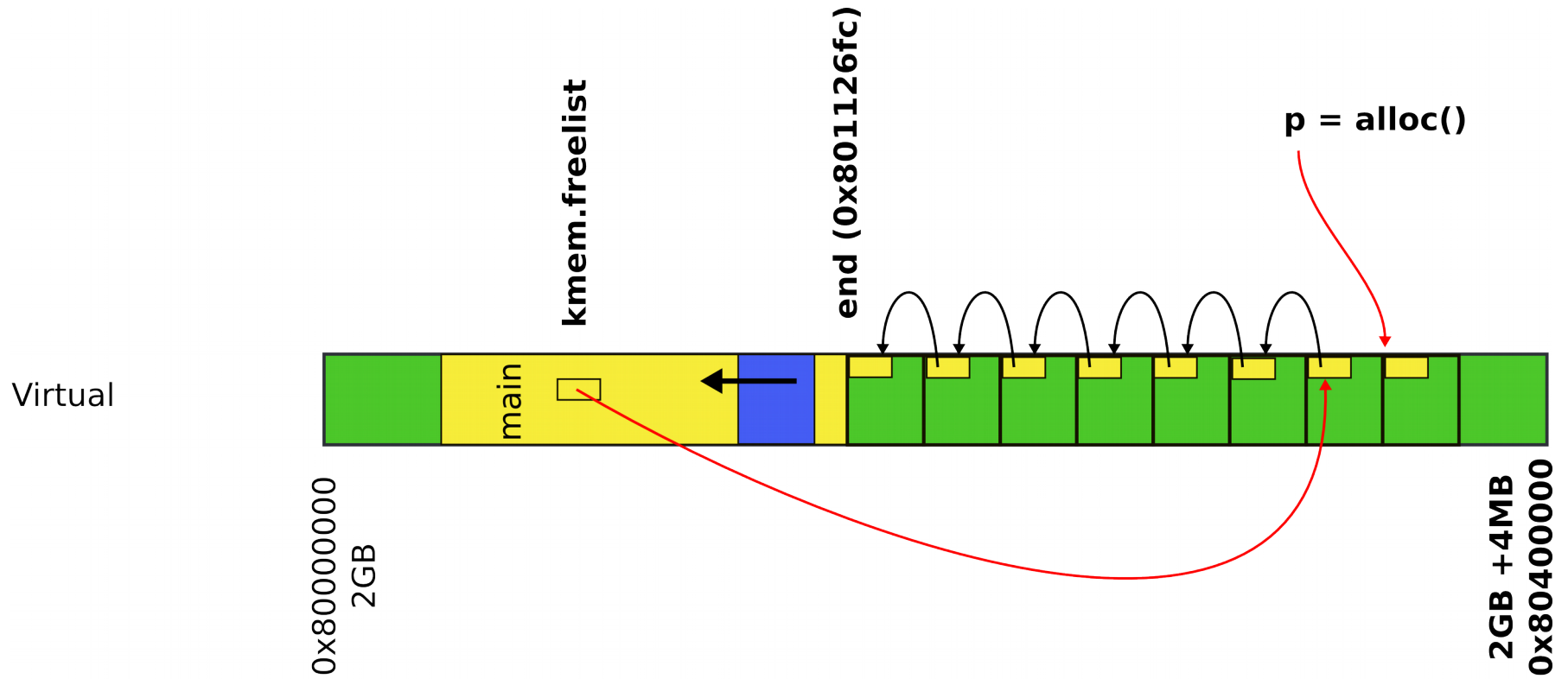
Page allocator



Protected Mode

```
3014 struct run {  
3015     struct run *next;  
3016 };
```

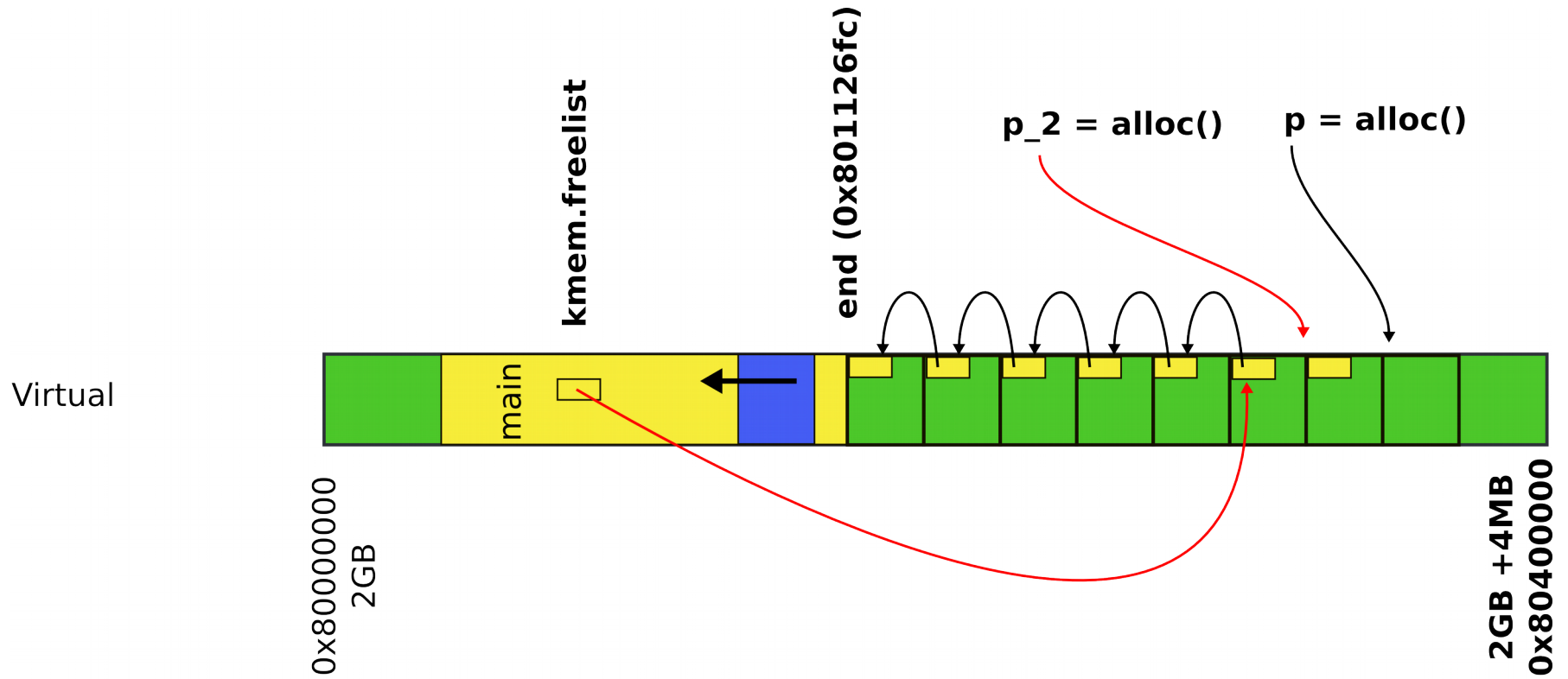
Page allocator



Protected Mode

```
3014 struct run {  
3015     struct run *next;  
3016 };
```

Page allocator



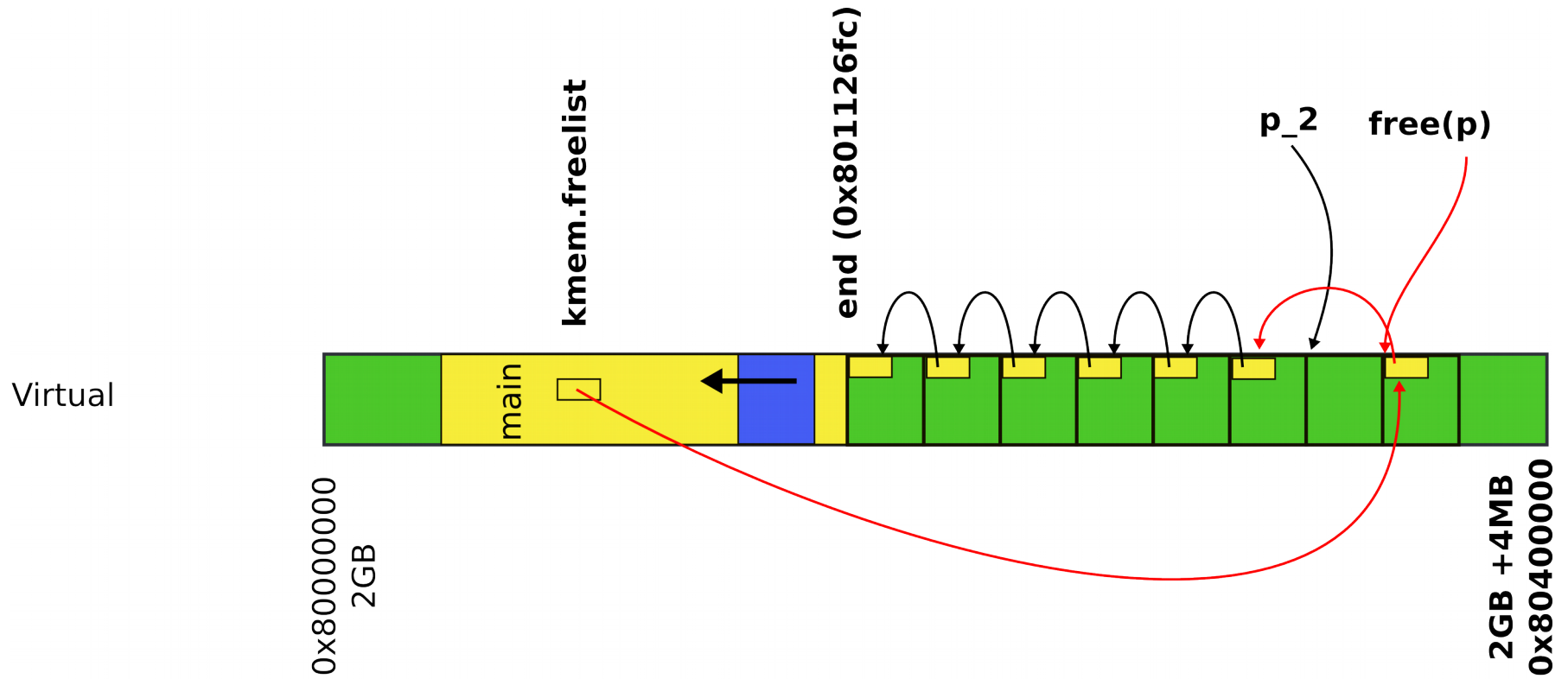
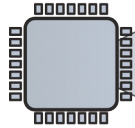
CS : 0x8	EIP: main
SS : 0x10	ESP: stack
GDT: 0x7c78	TSS: 0x0
IDT: 0x0	CR3: entrypgdir

Protected Mode

```

3014 struct run {
3015     struct run *next;
3016 };
    
```


Page allocator

CS : 0x8	EIP: main
SS : 0x10	ESP: stack
GDT: 0x7c78	TSS: 0x0
IDT: 0x0	CR3: entrypgdir

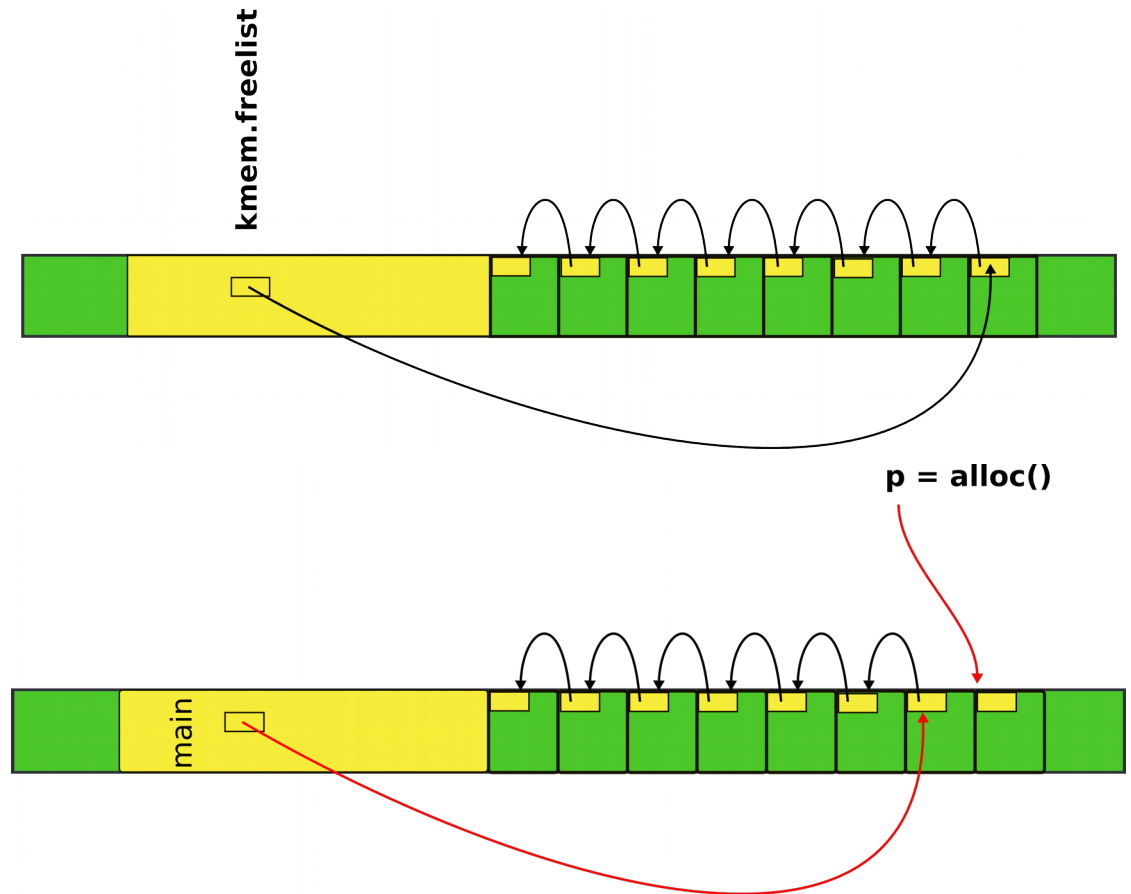
Protected Mode

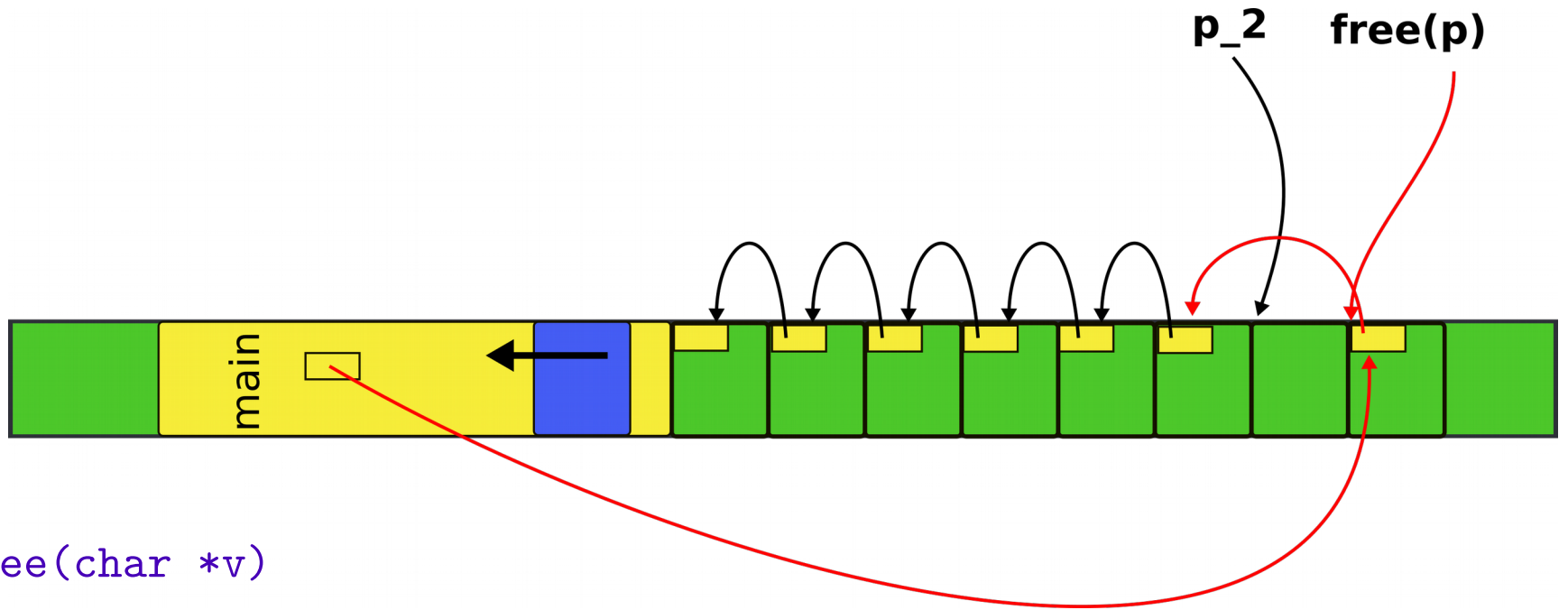
```

3014 struct run {
3015     struct run *next;
3016 };
    
```

kalloc() - kernel allocator

```
3087 char*
3088 kalloc(void)
3089 {
3090     struct run *r;
3091     ...
3094     r = kmem.freelist;
3095     if(r)
3096         kmem.freelist = r->next;
3097     ...
3099     return (char*)r;
3099 }
```

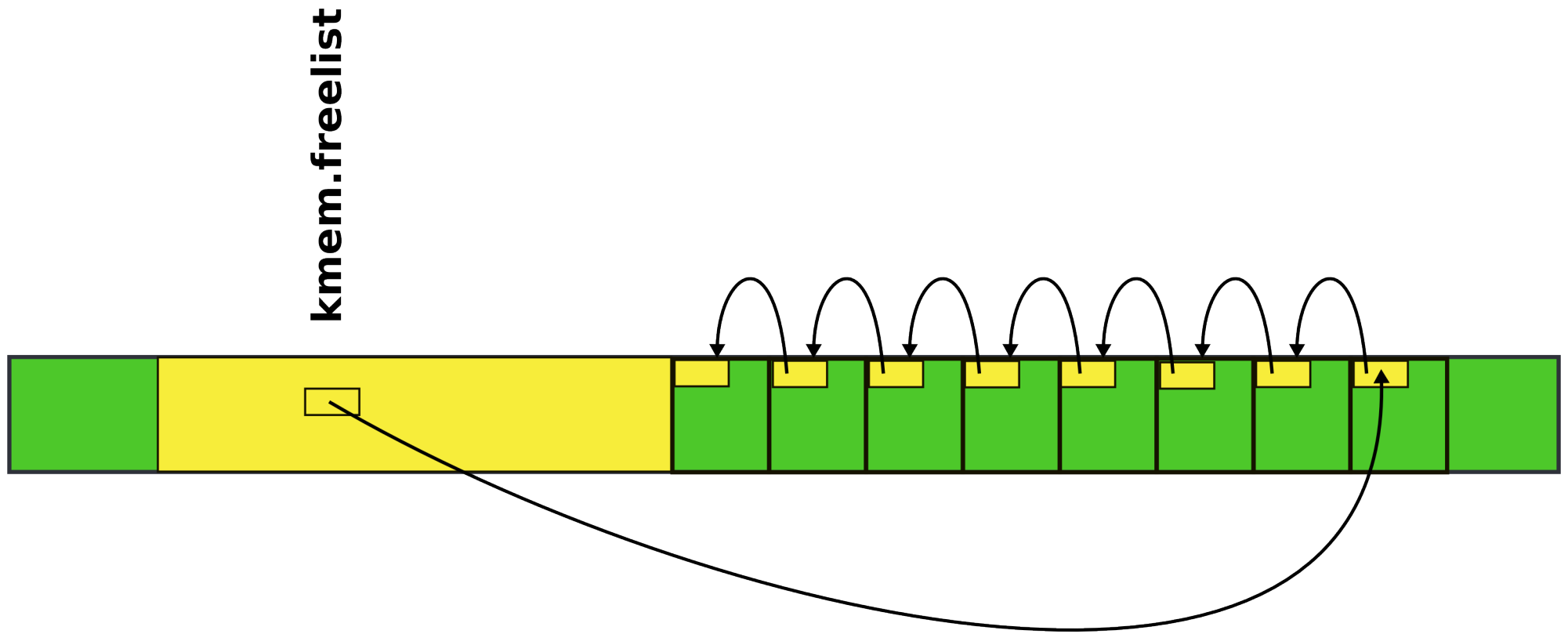




```

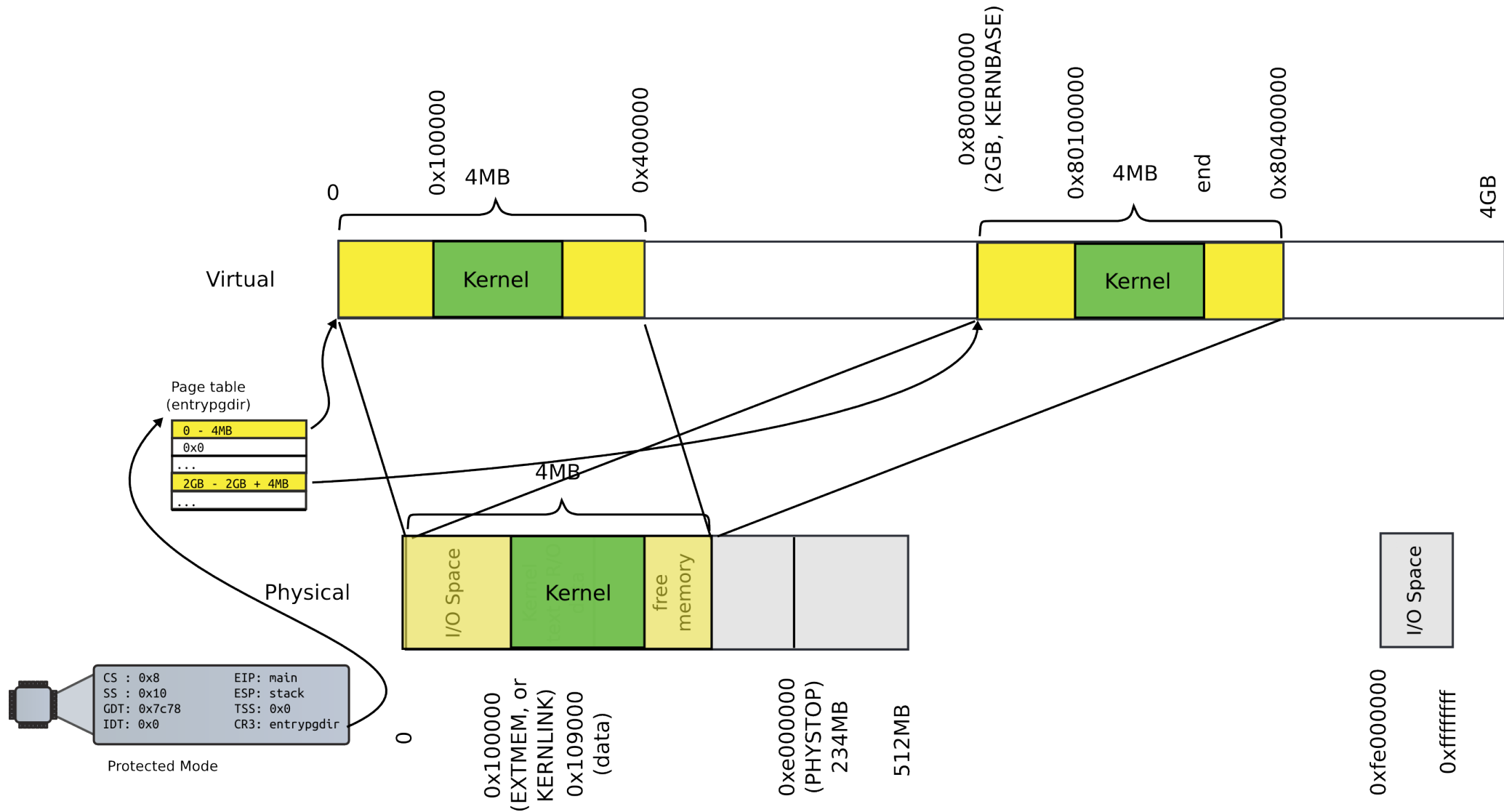
3065 kfree(char *v)
3066 {
3067     struct run *r;
...
3077     r = (struct run*)v;
3078     r->next = kmem.freelist;
3079     kmem.freelist = r;
...
2832 }

```

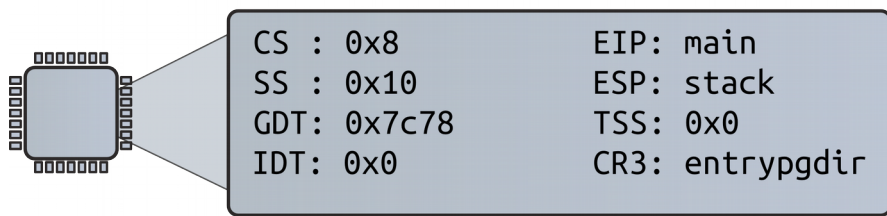
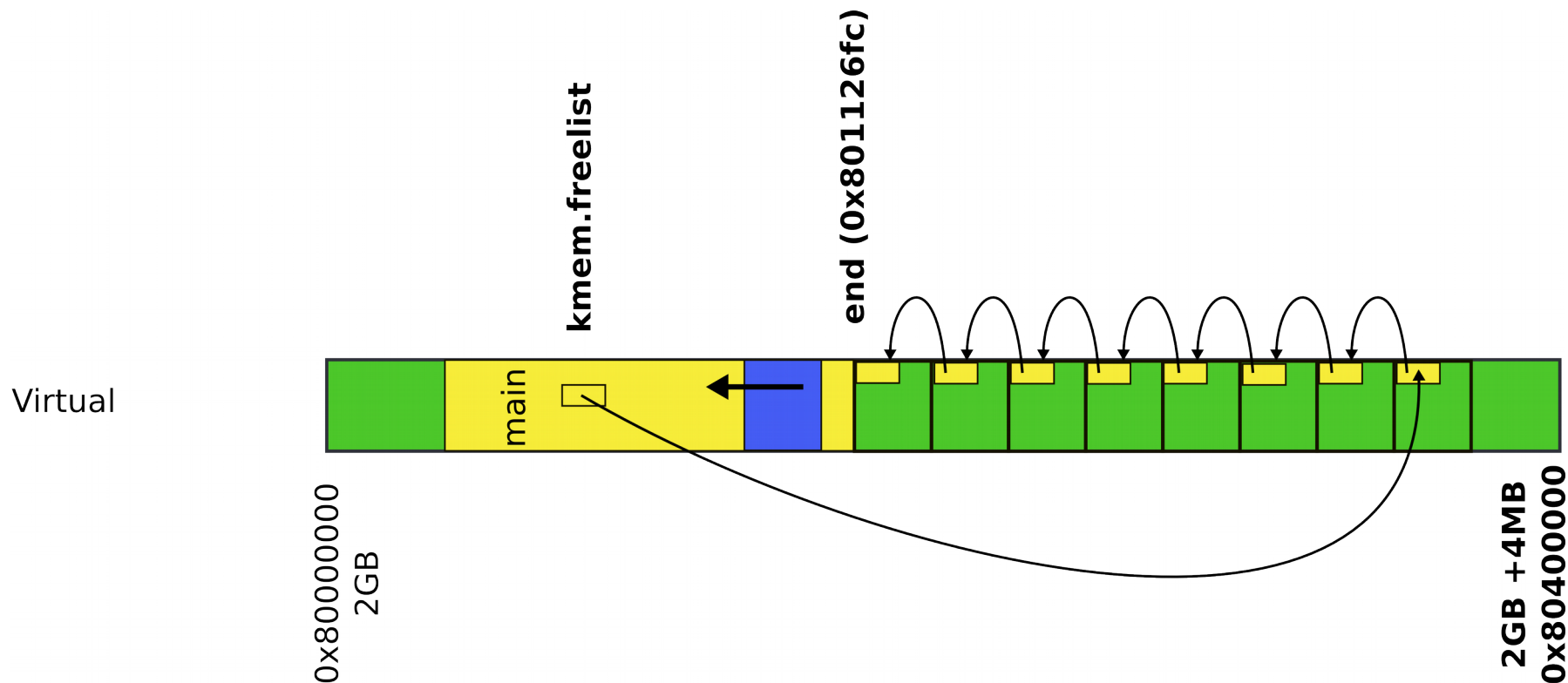


- Where can we get memory to keep the list itself?

There is a bit of free memory in the 4MB page we've mapped



Donate this free memory to the allocator



- Take memory from the end of the kernel binary
- To the end of the 4MB page

kinit1(): donate free memory

```
1316 int
1317 main(void)
1318 {
1319     kinit1(end, P2V(4*1024*1024)); // phys page allocator
1320     kvmalloc(); // kernel page table
1321     mpinit(); // detect other processors
1322     lapicinit(); // interrupt controller
1323     seginit(); // segment descriptors
1324     cprintf("\ncpu%d: starting xv6\n\n", cpunum());
1325     picinit(); // another interrupt controller
1326     ioapicinit(); // another interrupt controller
1327     consoleinit(); // console hardware
1328     uartinit(); // serial port
...
1340 }
```

```
3030 kinit1(void *vstart, void *vend)
```

```
3031 {
```

```
...
```

```
3034     freerange(vstart, vend);
```

```
3035 }
```

Freerange()

- Free range of memory from `vstart` to `vend` giving it to the allocator
- i.e., adding pages to the list


```
3051 freerange(void *vstart, void *vend)
3052 {
3053     char *p;
3054     p = (char*)PGROUNDUP((uint)vstart);
3055     for(; p + PGSIZE <= (char*)vend; p += PGSIZE)
3056         kfree(p);
3057 }
```

freerange()

- `freerange()` internally simply frees the pages from `vstart` to `vend`
- `kfree()` adds them to the allocator list

Where do we start?

```
1316 int
1317 main(void)
1318 {
1319     kinit1(end, P2V(4*1024*1024)); // phys page allocator
1320     kvmalloc(); // kernel page table
1321     mpinit(); // detect other processors
```

- What is this **end**?

```
1311 extern char end[];
```

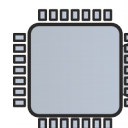
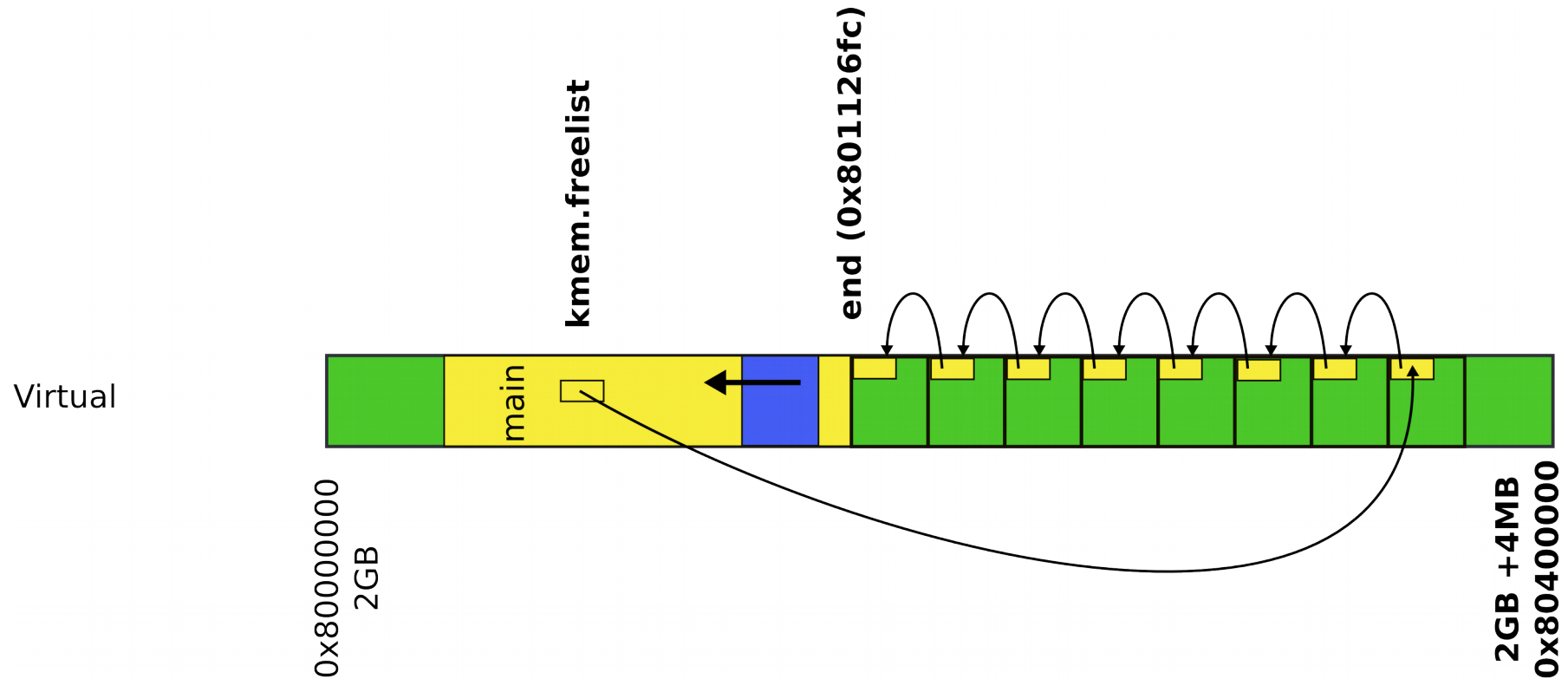
Where do we start?

```
1316 int
1317 main(void)
1318 {
1319     kinit1(end, P2V(4*1024*1024)); // phys page allocator
1320     kvmalloc(); // kernel page table
1321     mpinit(); // detect other processors
```

- What is this **end**?

```
1311 extern char end[]; // first address after
                        kernel loaded from ELF file
```

Donate this free memory to the allocator



CS : 0x8	EIP: main
SS : 0x10	ESP: stack
GDT: 0x7c78	TSS: 0x0
IDT: 0x0	CR3: entrypgdir

Protected Mode

Recap

- Kernel has a memory allocator
 - It allocates memory in chunks of 4KB
 - Good enough to maintain kernel data structures

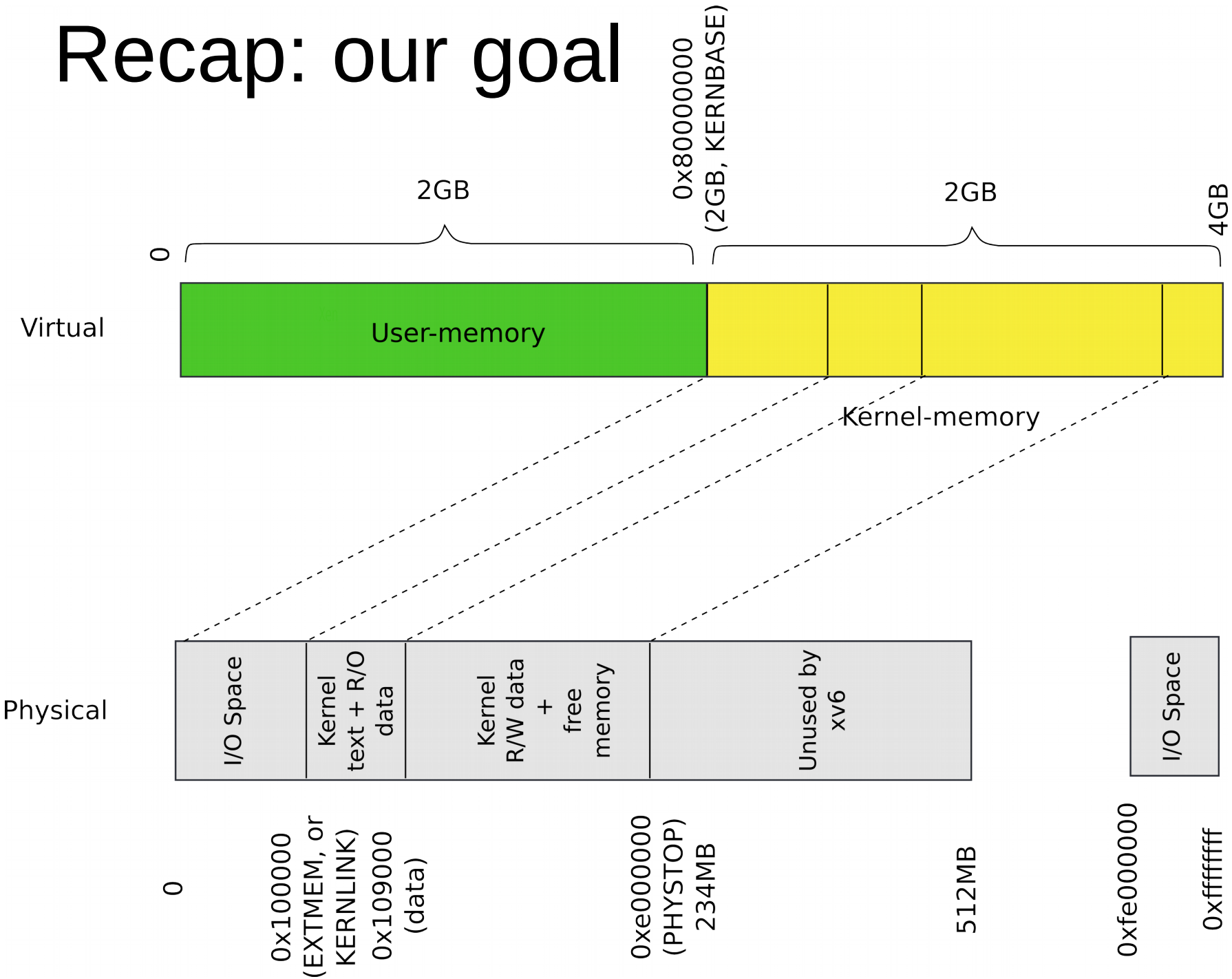
4KB page tables

Back to main(): Kernel address space

```
1316 int
1317 main(void)
1318 {
1319     kinit1(end, P2V(4*1024*1024)); // phys page allocator
1320     kvmalloc(); // kernel page table
1321     mpinit(); // detect other processors
1322     lapicinit(); // interrupt controller
1323     seginit(); // segment descriptors
1324     cprintf("\ncpu%d: starting xv6\n\n", cpunum());
1325     picinit(); // another interrupt controller
1326     ioapicinit(); // another interrupt controller
1327     consoleinit(); // console hardware
1328     uartinit(); // serial port
...
1340 }
```

- What do you think has to happen?
 - i.e., how to construct a kernel address space?

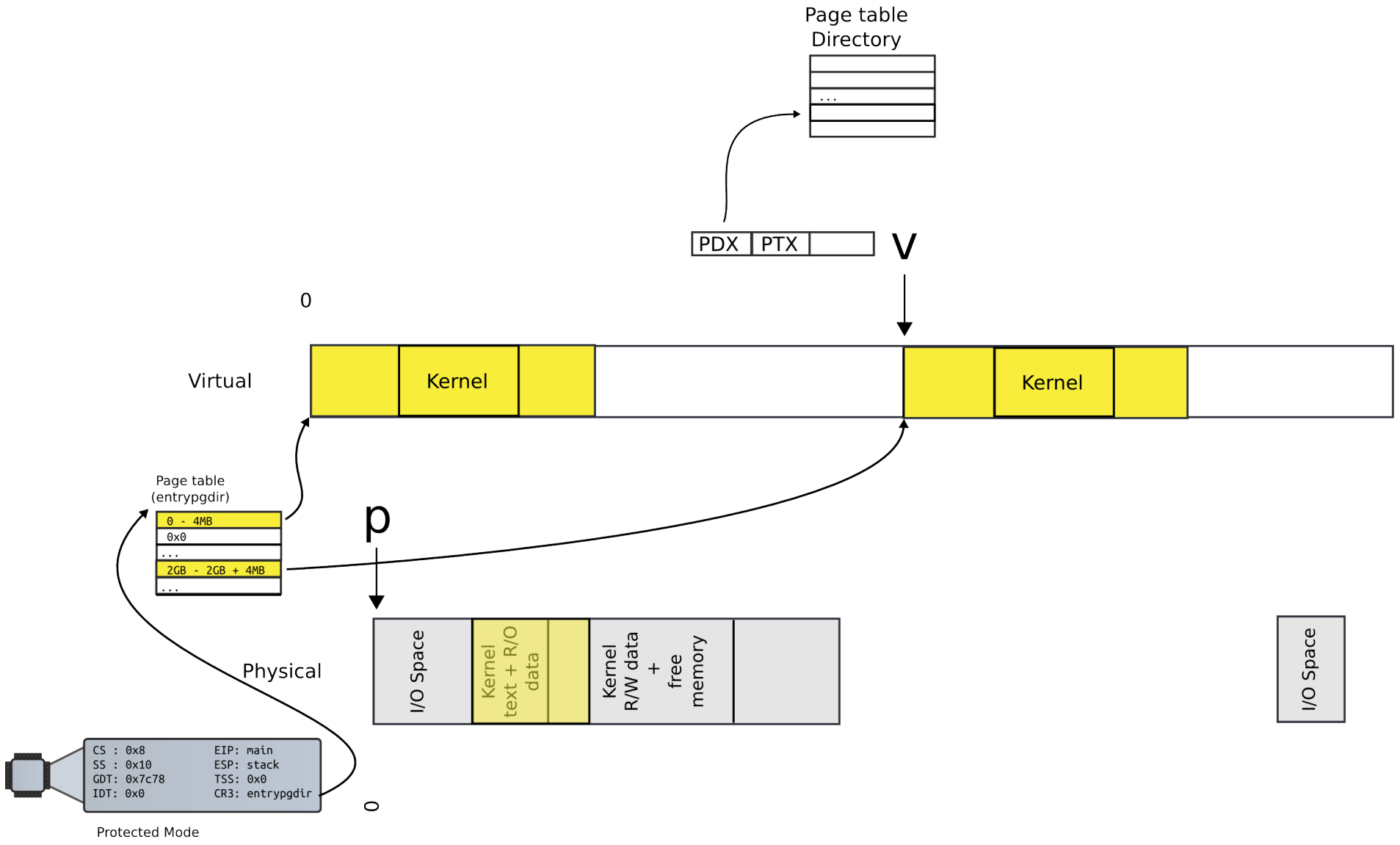
Recap: our goal



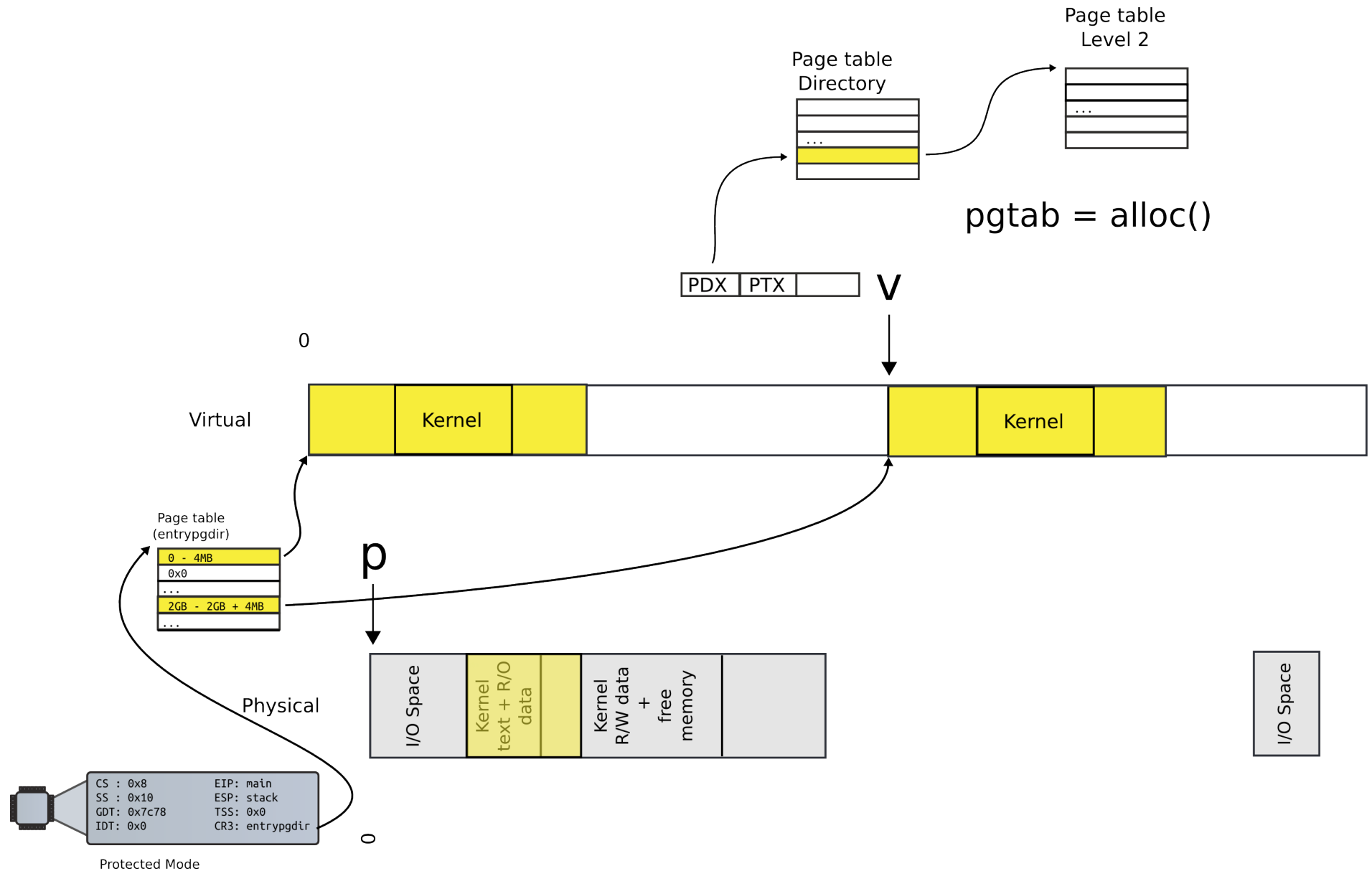
Outline

- Map a region of virtual memory into page tables
 - Start from 2GBs
 - Iterate memory page by page
 - Allocate page table directory and page tables as we go
 - Fill in page table entries with proper physical addresses
- We've created the kernel memory allocator
 - Can allocate space for page table directory and page tables

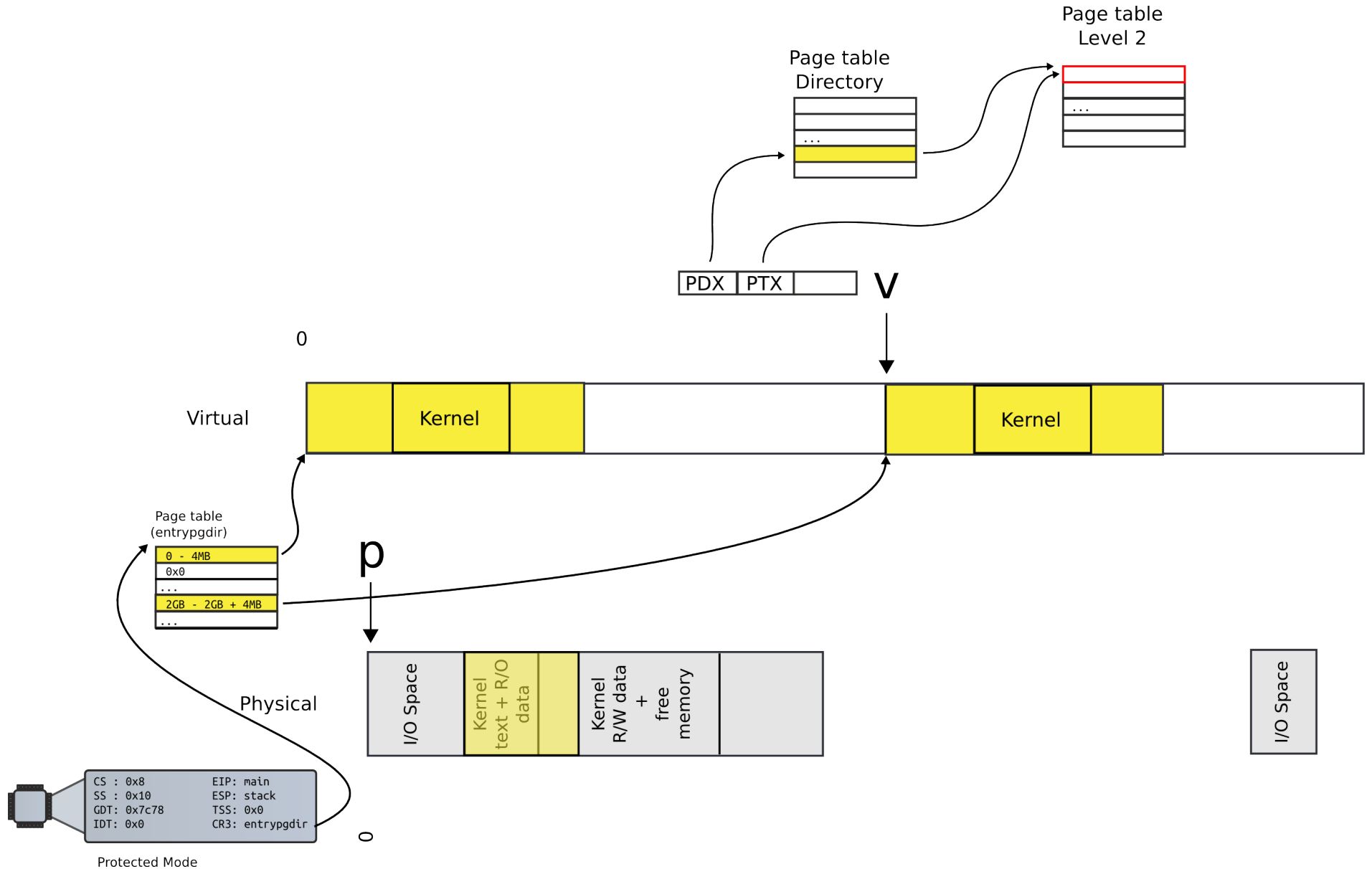
Allocate page table directory entry



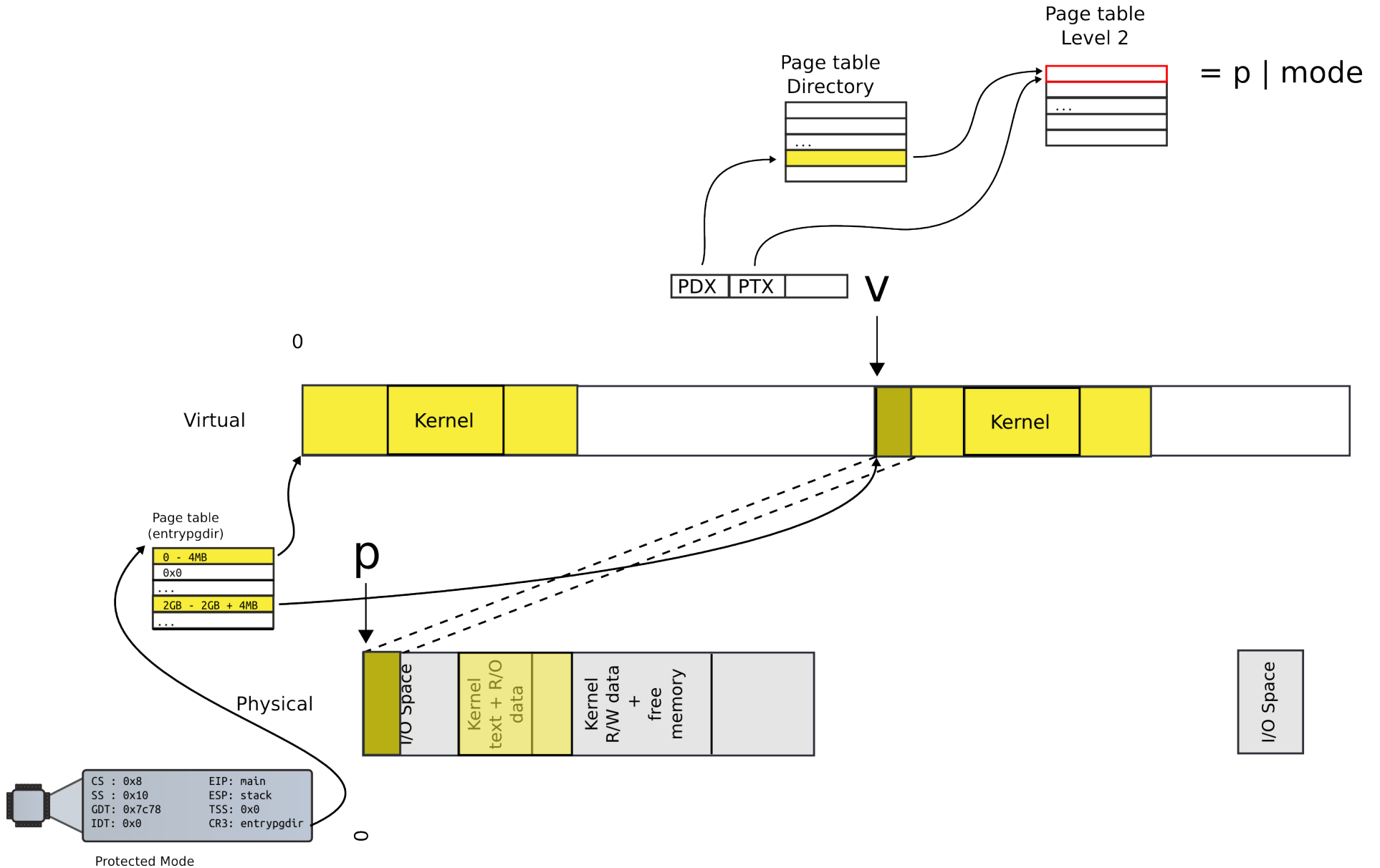
Allocate next level page table



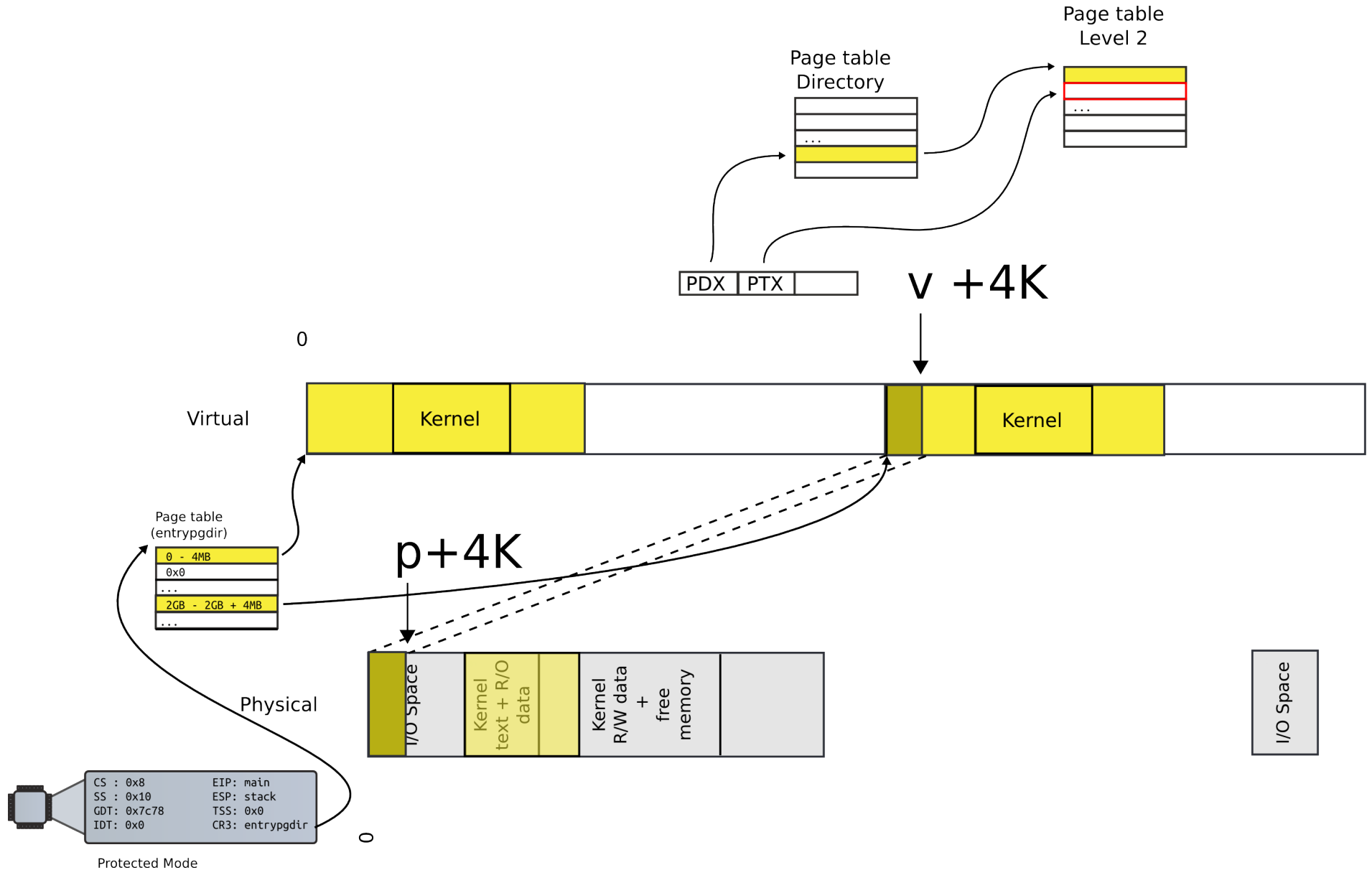
Locate PTE entry



Update mapping with physical addr



Move to next page



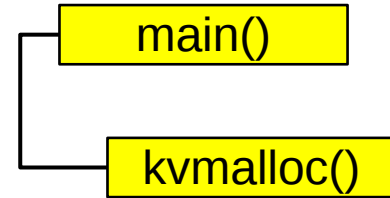
This is exactly what kernel is doing

Allocate page tables

```
1316 int
1317 main(void)
1318 {
1319     kinit1(end, P2V(4*1024*1024)); // phys page allocator
1320     kvmalloc(); // kernel page table
1321     mpinit(); // detect other processors
1322     lapicinit(); // interrupt controller
1323     seginit(); // segment descriptors
1324     cprintf("\ncpu%d: starting xv6\n\n", cpunum());
1325     picinit(); // another interrupt controller
1326     ioapicinit(); // another interrupt controller
1327     consoleinit(); // console hardware
1328     uartinit(); // serial port
...
1340 }
```

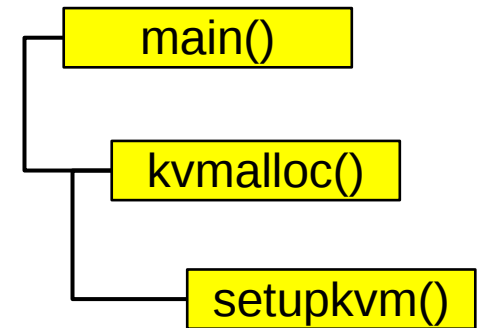
kvmalloc()

```
1857 kvmalloc(void)
1858 {
1859     kpgdir = setupkvm();
1860     switchkvm();
1861 }
```

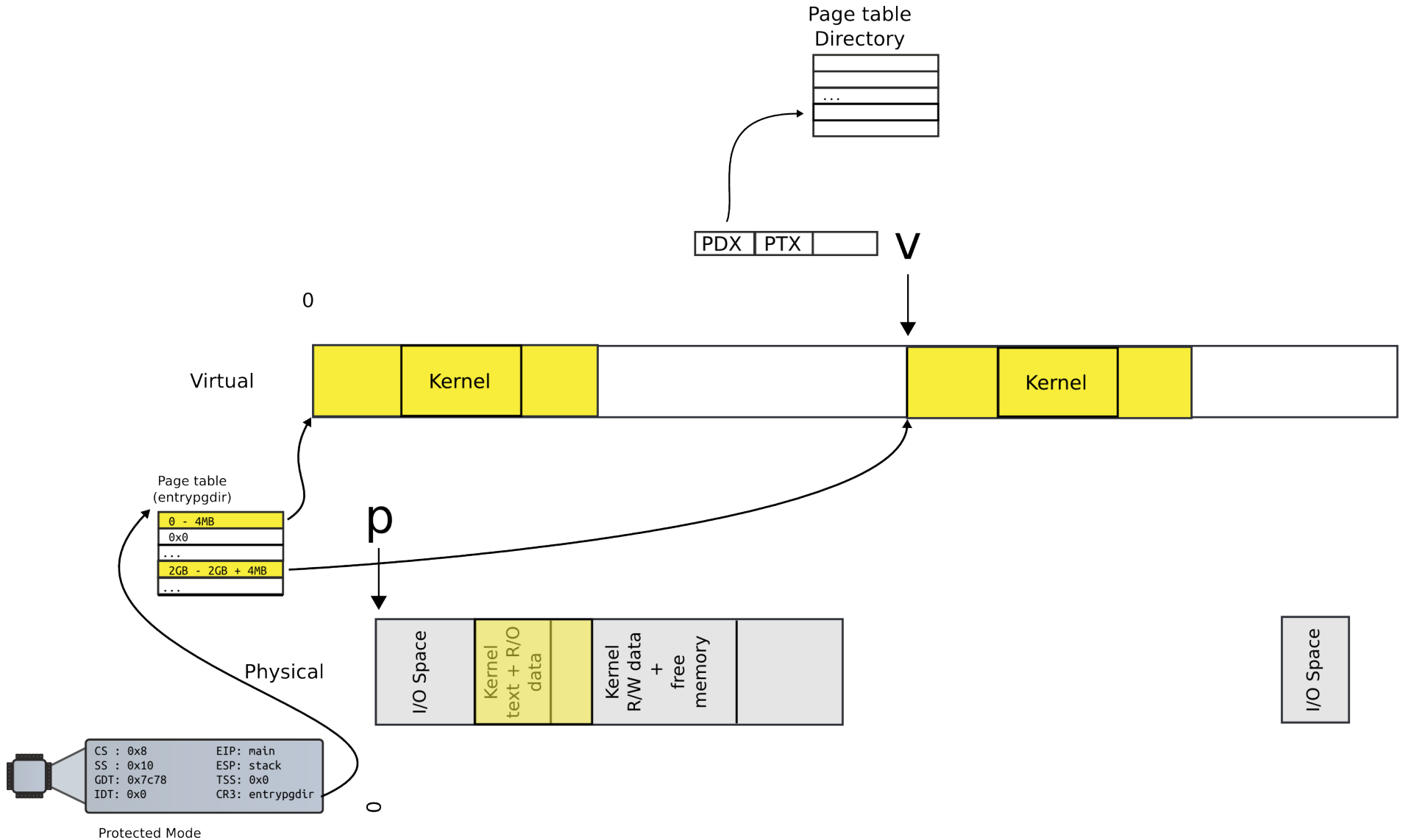


Allocate page table directory

```
1836 pde_t*
1837 setupkvm(void)
1838 {
1839     pde_t *pgdir;
1840     struct kmap *k;
1841
1842     if((pgdir = (pde_t*)kalloc()) == 0)
1843         return 0;
1844     memset(pgdir, 0, PGSIZE);
1845     ...
1847     for(k = kmap; k < &kmap[NELEM(kmap)]; k++)
1848         if(mappages(pgdir, k->virt, k->phys_end - k->phys_start,
1849             (uint)k->phys_start, k->perm) < 0)
1850             return 0;
1851     return pgdir;
1852 }
```

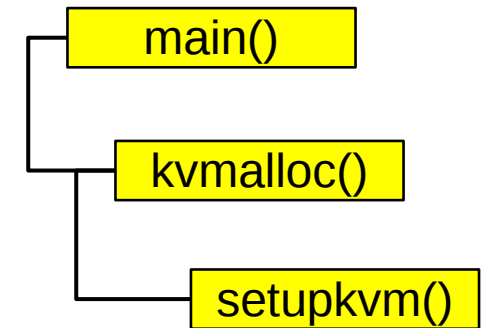


Allocate page table directory



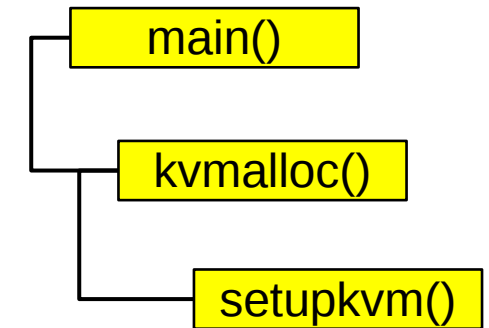
Iterate in a loop: map physical pages

```
1836 pde_t*
1887 setupkvm(void)
1838 {
1839     pde_t *pgdir;
1840     struct kmap *k;
1841
1842     if((pgdir = (pde_t*)kalloc()) == 0)
1843         return 0;
1844     memset(pgdir, 0, PGSIZE);
1845     ...
1847     for(k = kmap; k < &kmap[NELEM(kmap)]; k++)
1848         if(mappages(pgdir, k->virt, k->phys_end - k->phys_start,
1849                     (uint)k->phys_start, k->perm) < 0)
1850             return 0;
1851     return pgdir;
1852 }
```

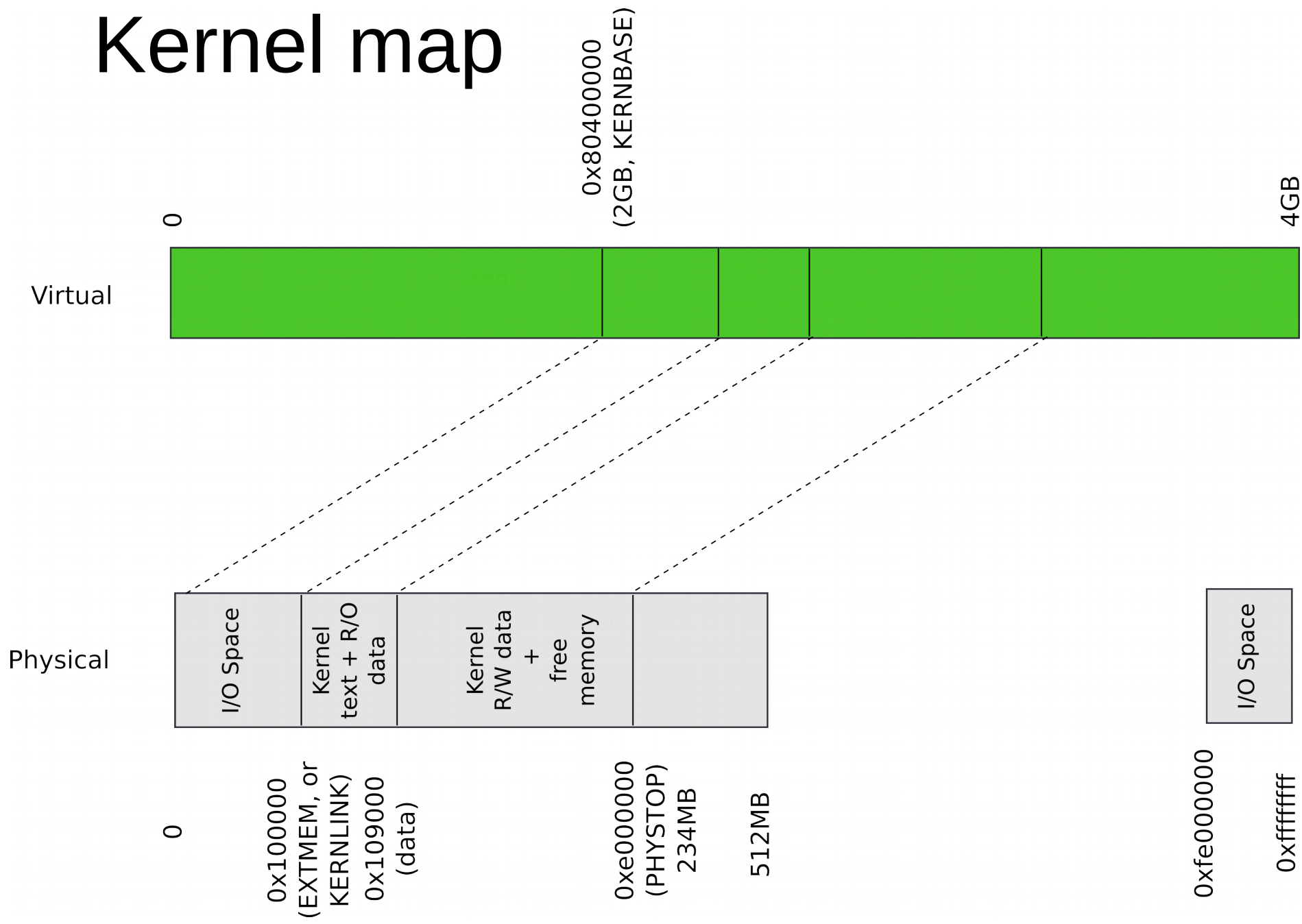


Iterate in a loop: map physical pages

```
1836 pde_t*
1887 setupkvm(void)
1838 {
1839     pde_t *pgdir;
1840     struct kmap *k;
1841
1842     if((pgdir = (pde_t*)kalloc()) == 0)
1843         return 0;
1844     memset(pgdir, 0, PGSIZE);
1845     ...
1847     for(k = kmap; k < &kmap[NELEM(kmap)]; k++)
1848         if(mappages(pgdir, k->virt, k->phys_end - k->phys_start,
1849                     (uint)k->phys_start, k->perm) < 0)
1850             return 0;
1851     return pgdir;
1852 }
```



Kernel map



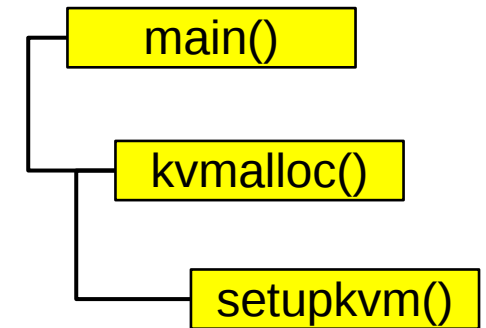
Kmap – kernel map

```
1823 static struct kmap {
1824     void *virt;
1825     uint phys_start;
1826     uint phys_end;
1827     int perm;
1828 } kmap[] = {
1829     { (void*)KERNBASE, 0, EXTMEM, PTE_W}, // I/O space
1830     { (void*)KERNLINK, V2P(KERNLINK), V2P(data), 0}, //text+rodata
1831     { (void*)data, V2P(data), PHYSTOP, PTE_W}, // kern
data+memory
1832     { (void*)DEVSPACE, DEVSPACE, 0, PTE_W}, // more devices
1833 };
```



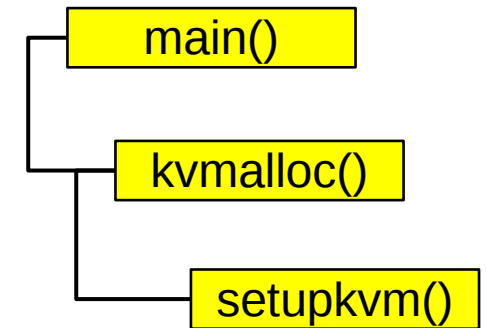
Iterate in a loop: map physical pages

```
1836 pde_t*
1887 setupkvm(void)
1838 {
1839     pde_t *pgdir;
1840     struct kmap *k;
1841
1842     if((pgdir = (pde_t*)kalloc()) == 0)
1843         return 0;
1844     memset(pgdir, 0, PGSIZE);
1845     ...
1847     for(k = kmap; k < &kmap[NELEM(kmap)]; k++)
1848         if(mappages(pgdir, k->virt, k->phys_end - k->phys_start,
1849                 (uint)k->phys_start, k->perm) < 0)
1850             return 0;
1851     return pgdir;
1852 }
```



```
1836 pde_t*
1887 setupkvm(void)
1838 {
1839     pde_t *pgdir;
1840     struct kmap *k;
1841
1842     if((pgdir = (pde_t*)kalloc()) == 0)
1843         return 0;
1844     memset(pgdir, 0, PGSIZE);
1845     ...
1847     for(k = kmap; k < &kmap[NELEM(kmap)]; k++)
1848         if(mappages(pgdir, k->virt, k->phys_end - k->phys_start,
1849                    (uint)k->phys_start, k->perm) < 0)
1850             return 0;
1851     return pgdir;
1852 }
```

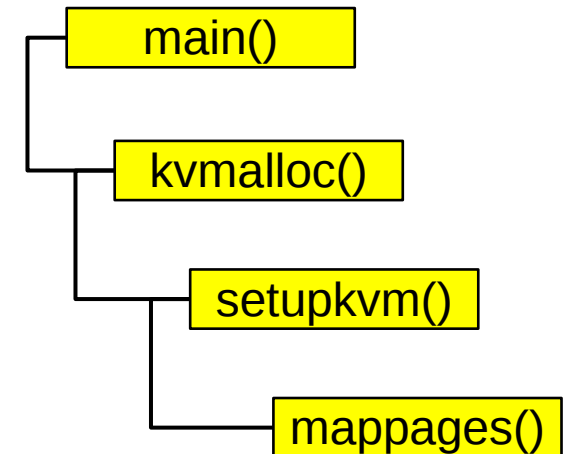
Map a region of memory



```

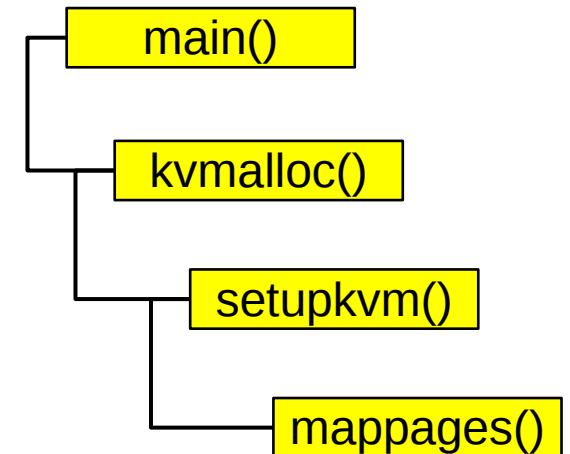
1779 mappages(pde_t *pgdir, void *va, uint size, uint pa, int perm)
1780 {
1781     char *a, *last;
1782     pte_t *pte;
1783
1784     a = (char*)PGROUNDDOWN((uint)va);
1785     last = (char*)PGROUNDDOWN(((uint)va) + size - 1);
1786     for(;;){
1787         if((pte = walkpgdir(pgdir, a, 1)) == 0)
1788             return -1;
1789         if(*pte & PTE_P)
1790             panic("remap");
1791         *pte = pa | perm | PTE_P;
1792         if(a == last)
1793             break;
1794         a += PGSIZE;
1795         pa += PGSIZE;
1796     }
1797     return 0;
1798 }

```



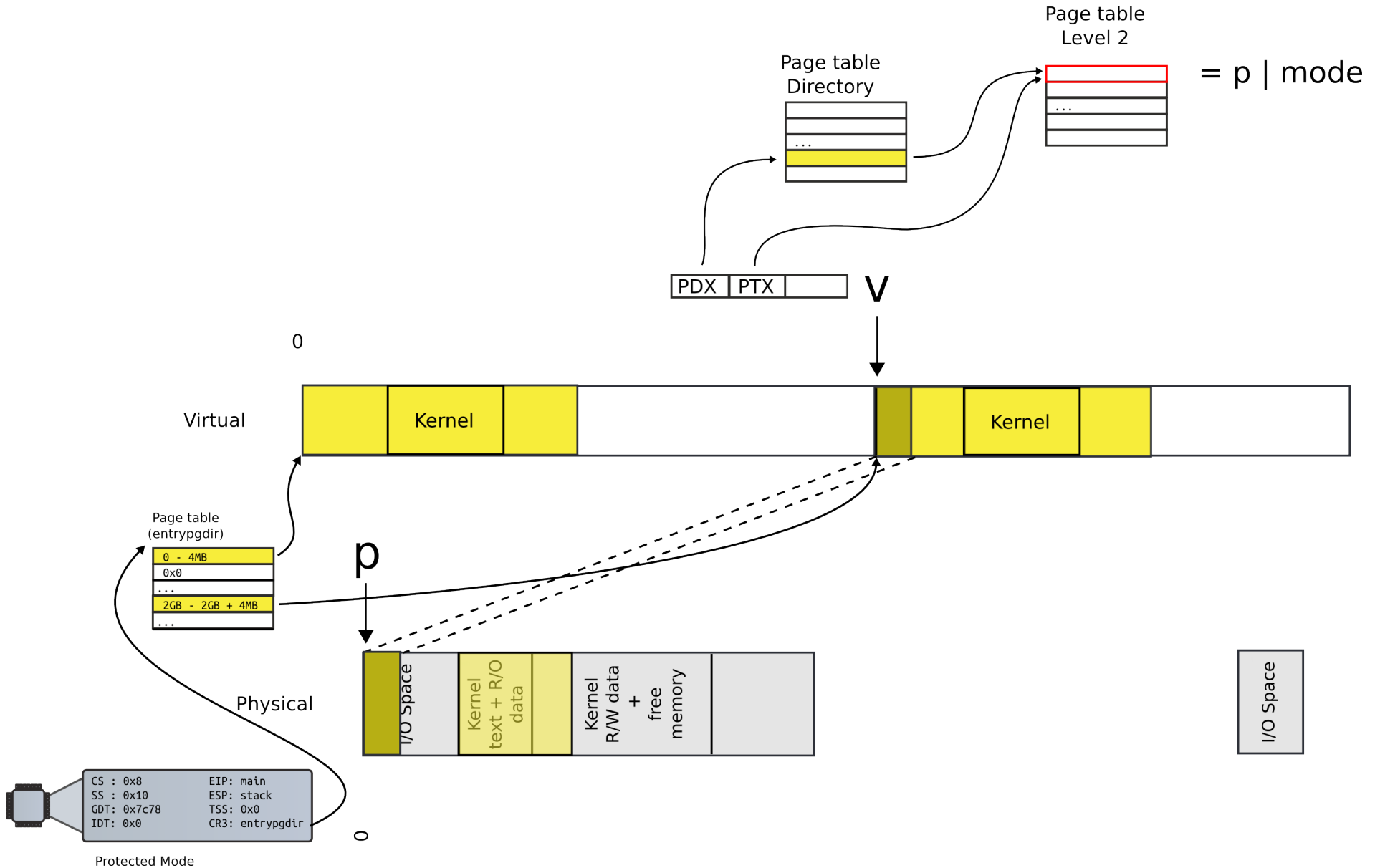
- Get the start (`a`) and end (`last`) pages for the virtual address range we are mapping
- Then work in a loop mapping every page one by one

```
1779 mappages(pde_t *pgdir, void *va, uint size, uint pa, int perm)
1780 {
1781     char *a, *last;
1782     pte_t *pte;
1783
1784     a = (char*)PGROUNDDOWN((uint)va);
1785     last = (char*)PGROUNDDOWN(((uint)va) + size - 1);
1786     for(;;){
1787         if((pte = walkpgdir(pgdir, a, 1)) == 0)
1788             return -1;
1789         if(*pte & PTE_P)
1790             panic("remap");
1791         *pte = pa | perm | PTE_P;
1792         if(a == last)
1793             break;
1794         a += PGSIZE;
1795         pa += PGSIZE;
1796     }
1797     return 0;
1798 }
```



- First lookup the page table directory entry (`pte`) corresponding to the virtual address (`a`) we're mapping

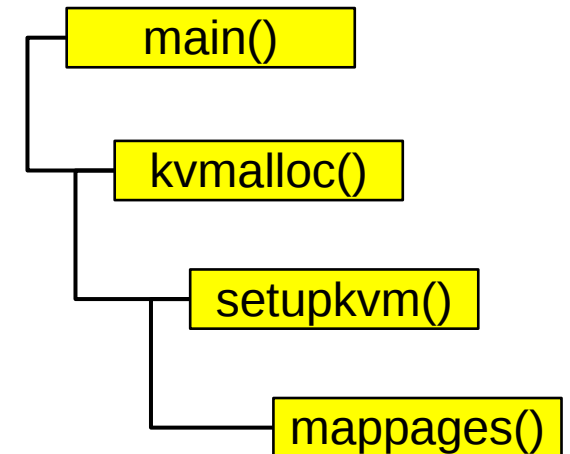
Update mapping with physical addr



```

1779 mappages(pde_t *pgdir, void *va, uint size, uint pa, int perm)
1780 {
1781     char *a, *last;
1782     pte_t *pte;
1783
1784     a = (char*)PGROUNDDOWN((uint)va);
1785     last = (char*)PGROUNDDOWN(((uint)va) + size - 1);
1786     for(;;){
1787         if((pte = walkpgdir(pgdir, a, 1)) == 0)
1788             return -1;
1789         if(*pte & PTE_P)
1790             panic("remap");
1791         *pte = pa | perm | PTE_P;
1792         if(a == last)
1793             break;
1794         a += PGSIZE;
1795         pa += PGSIZE;
1796     }
1797     return 0;
1798 }

```

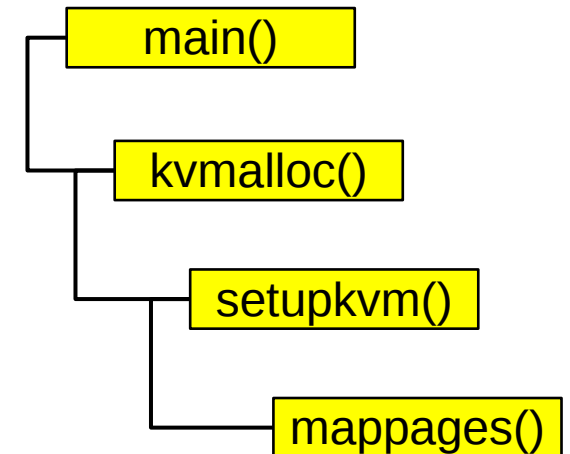


- Update the page directory entry (*pte) with the physical address (pa)

```

1779 mappages(pde_t *pgdir, void *va, uint size, uint pa, int perm)
1780 {
1781     char *a, *last;
1782     pte_t *pte;
1783
1784     a = (char*)PGROUNDDOWN((uint)va);
1785     last = (char*)PGROUNDDOWN(((uint)va) + size - 1);
1786     for(;;){
1787         if((pte = walkpgdir(pgdir, a, 1)) == 0)
1788             return -1;
1789         if(*pte & PTE_P)
1790             panic("remap");
1791         *pte = pa | perm | PTE_P;
1792         if(a == last)
1793             break;
1794         a += PGSIZE;
1795         pa += PGSIZE;
1796     }
1797     return 0;
1798 }

```

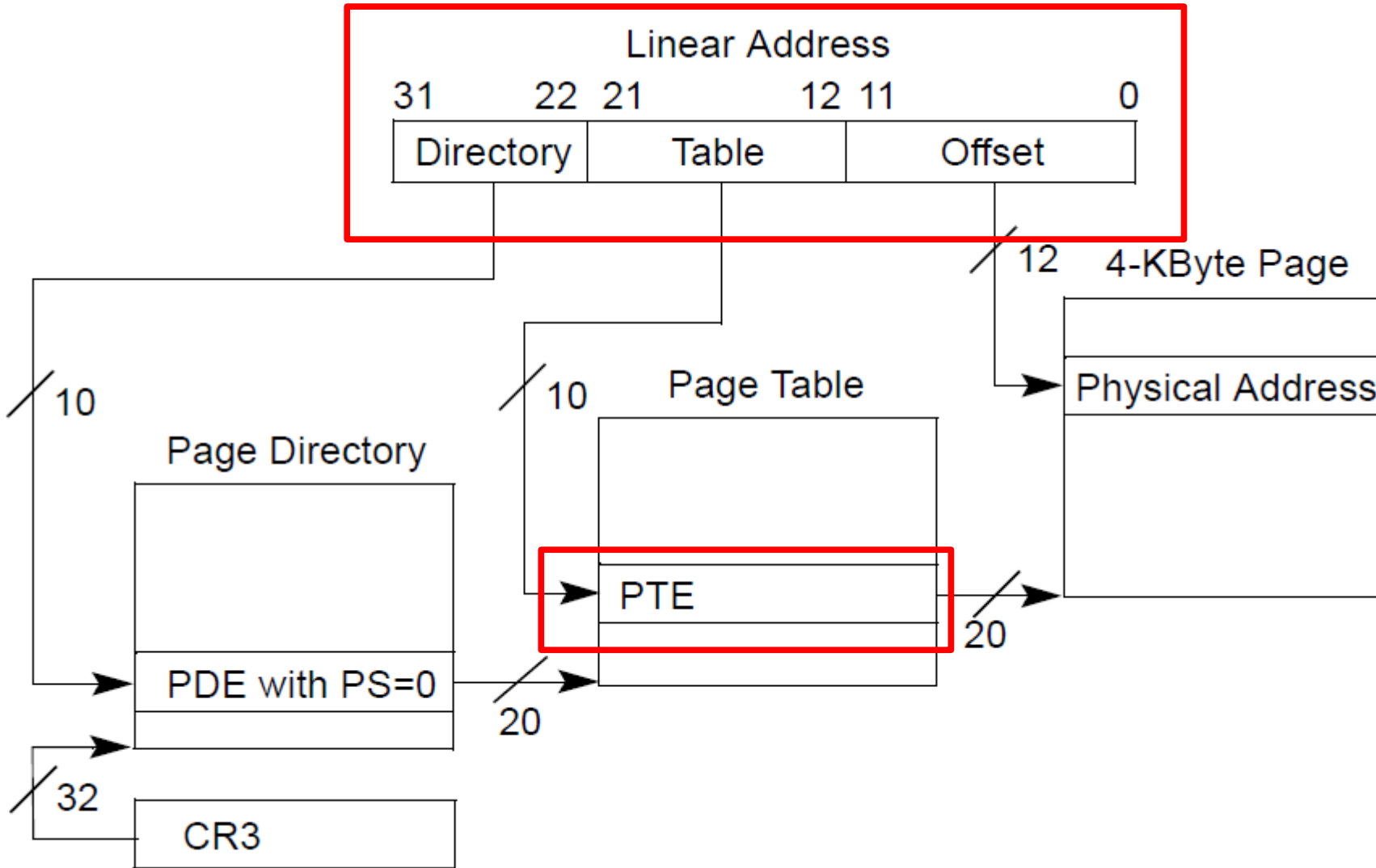


- But we need a function that locates the pte for us...

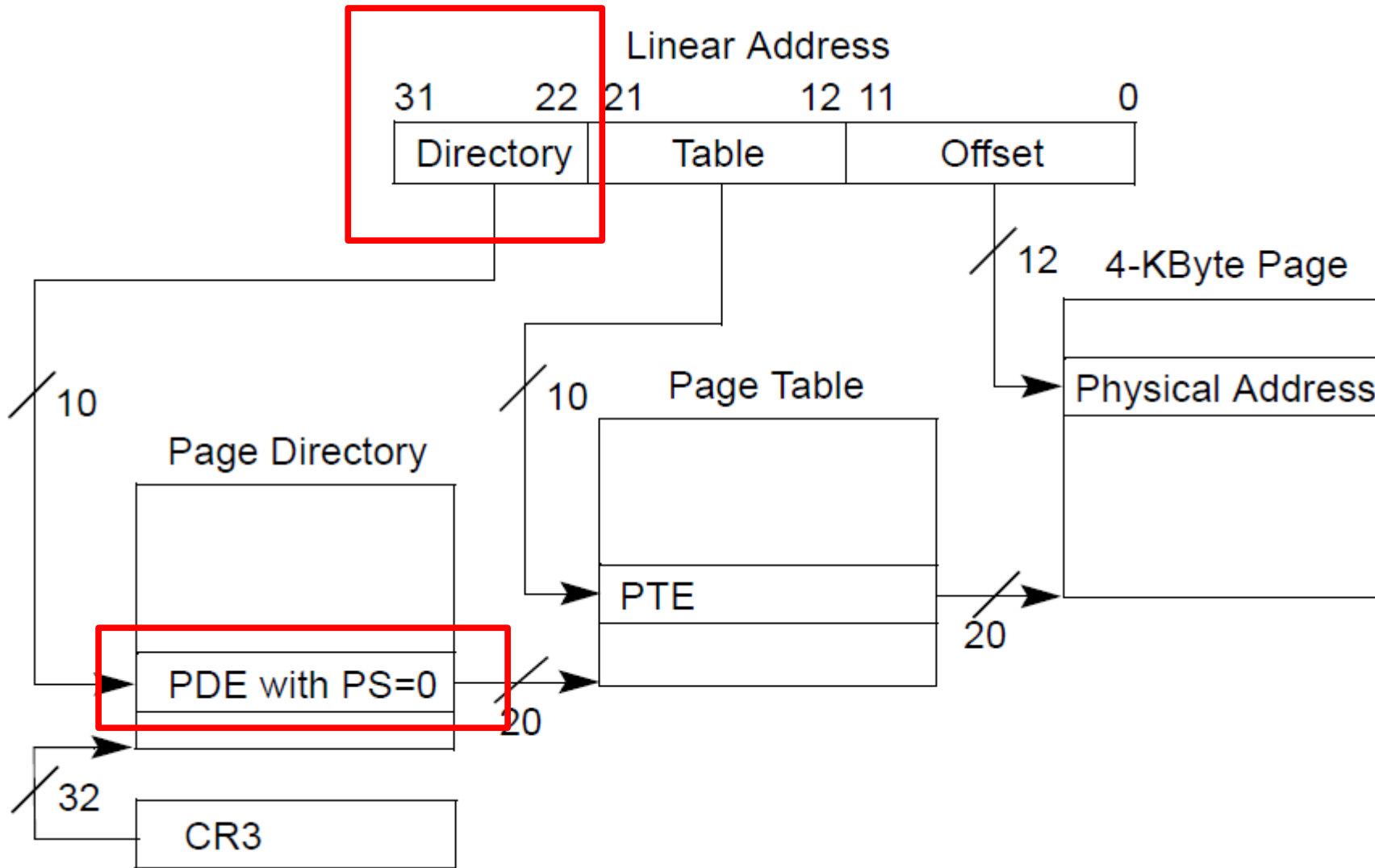
What should it look like?

- A function takes a virtual address
- Returns a page table directory entry that maps it

Recap of the page table



Locate the PDE frist

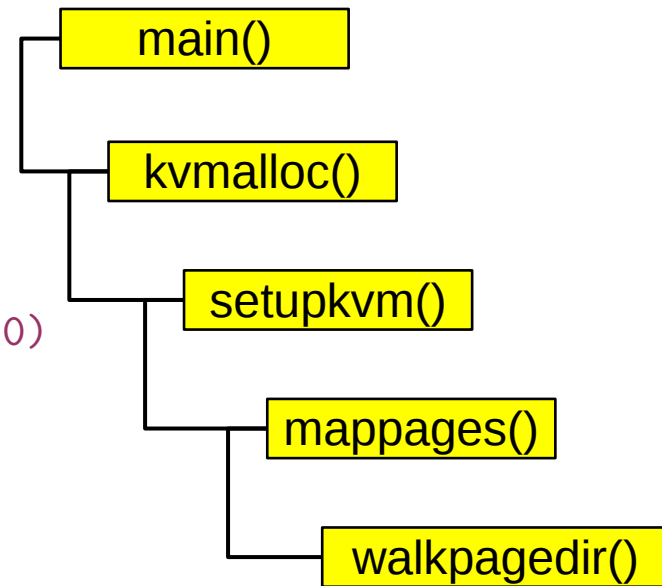


```

1754 walkpgdir(pde_t *pgdir, const void *va, int alloc)
1755 {
1756     pde_t *pde;
1757     pte_t *pgtab;
1758
1759     pde = &pgdir[PDX(va)];
1760     if(*pde & PTE_P){
1761         pgtab = (pte_t*)P2V(PTE_ADDR(*pde));
1762     } else {
1763         if(!alloc || (pgtab = (pte_t*)kalloc()) == 0)
1764             return 0;
1765         // Make sure all those PTE_P bits are zero.
1766         memset(pgtab, 0, PGSIZE);
1767
1768         ...
1770         *pde = V2P(pgtab) | PTE_P | PTE_W | PTE_U;
1771     }
1772     return &pgtab[PTX(va)];
1773 }

```

Locate the page table directory entry for this virtual address



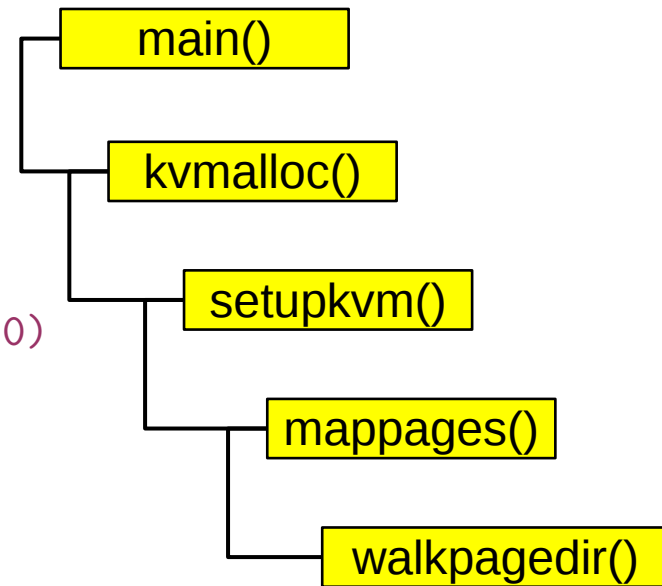
- Locate the page directory entry (*pde)

```

1754 walkpgdir(pde_t *pgdir, const void *va, int alloc)
1755 {
1756     pde_t *pde;
1757     pte_t *pgtab;
1758
1759     pde = &pgdir[PDX(va)];
1760     if(*pde & PTE_P){
1761         pgtab = (pte_t*)P2V(PTE_ADDR(*pde));
1762     } else {
1763         if(!alloc || (pgtab = (pte_t*)kalloc()) == 0)
1764             return 0;
1765         // Make sure all those PTE_P bits are zero.
1766         memset(pgtab, 0, PGSIZE);
1767
1768         ...
1770         *pde = V2P(pgtab) | PTE_P | PTE_W | PTE_U;
1771     }
1772     return &pgtab[PTX(va)];
1773 }

```

Locate the page table directory entry for this virtual address



- Locate the page directory entry (*pde)

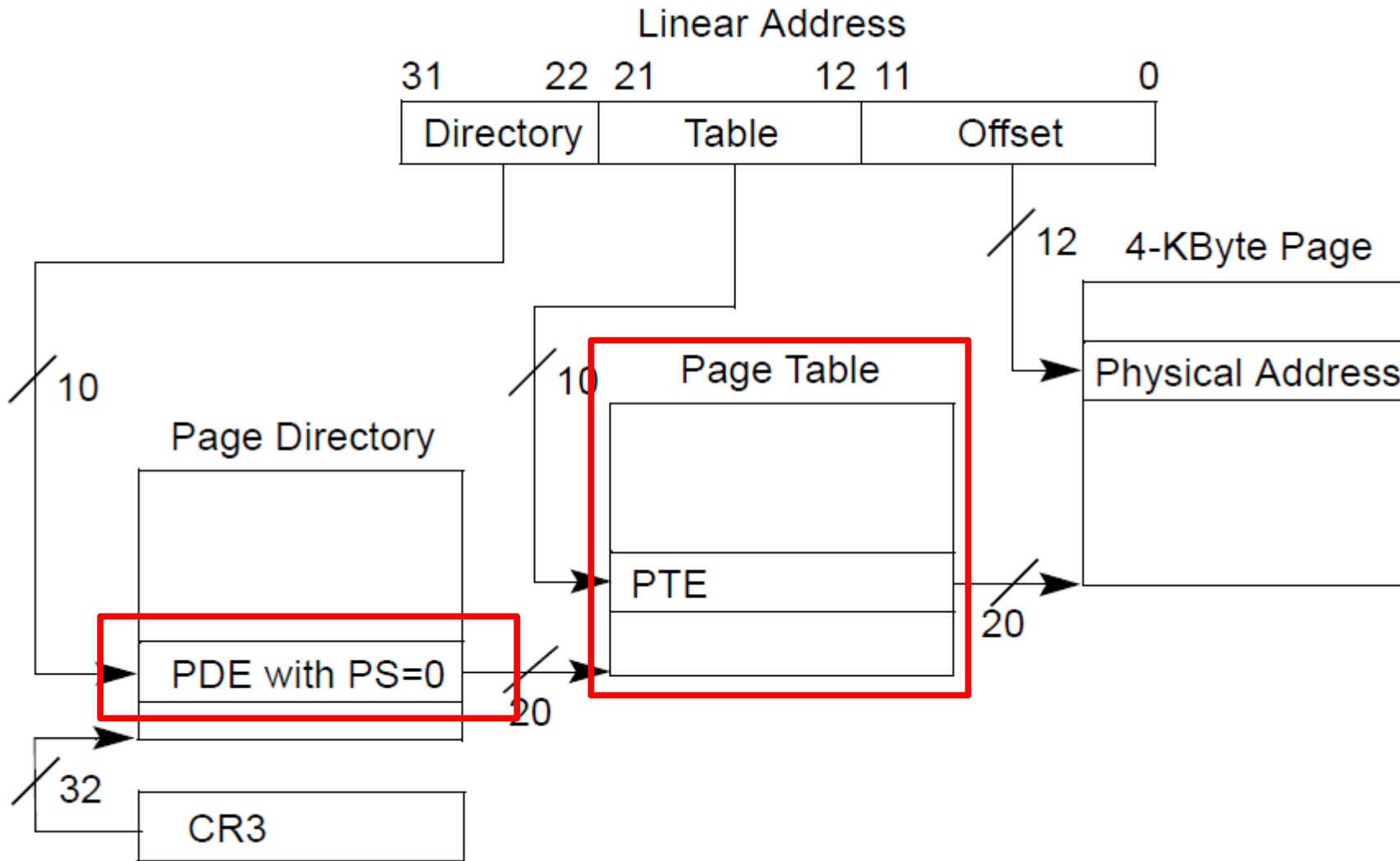
PDX()

```
0855 // +-----10-----+-----10-----+-----12-----+
0856 // | Page Directory | Page Table | Offset within Page |
0857 // | Index | Index | |
0858 // +-----+-----+-----+
0859 // \--- PDX(va) ---/ \--- PTX(va) ---/
0860
0861 // page directory index
0862 #define PDX(va) (((uint)(va) >> PDXSHIFT) & 0x3FF)
0863
0864 // page table index
0865 #define PTX(va) (((uint)(va) >> PTXSHIFT) & 0x3FF)
...
0876 #define PTXSHIFT 12 // offset of PTX in a linear address
0877 #define PDXSHIFT 22 // offset of PDX in a linear address
```

PDX()

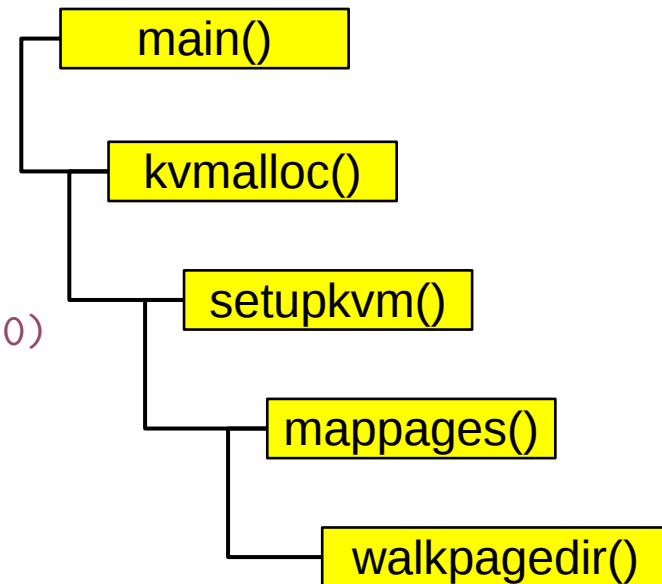
```
0855 // +-----10-----+-----10-----+-----12-----+
0856 // | Page Directory |   Page Table   | Offset within Page |
0857 // |   Index       |   Index       |                   |
0858 // +-----+-----+-----+
0859 // \--- PDX(va) ---/ \--- PTX(va) ---/
0860
0861 // page directory index
0862 #define PDX(va) (((uint)(va) >> PDXSHIFT) & 0x3FF)
0863
0864 // page table index
0865 #define PTX(va) (((uint)(va) >> PTXSHIFT) & 0x3FF)
...
0876 #define PTXSHIFT 12 // offset of PTX in a linear address
0877 #define PDXSHIFT 22 // offset of PDX in a linear address
```

Check if level 2 page table is allocated

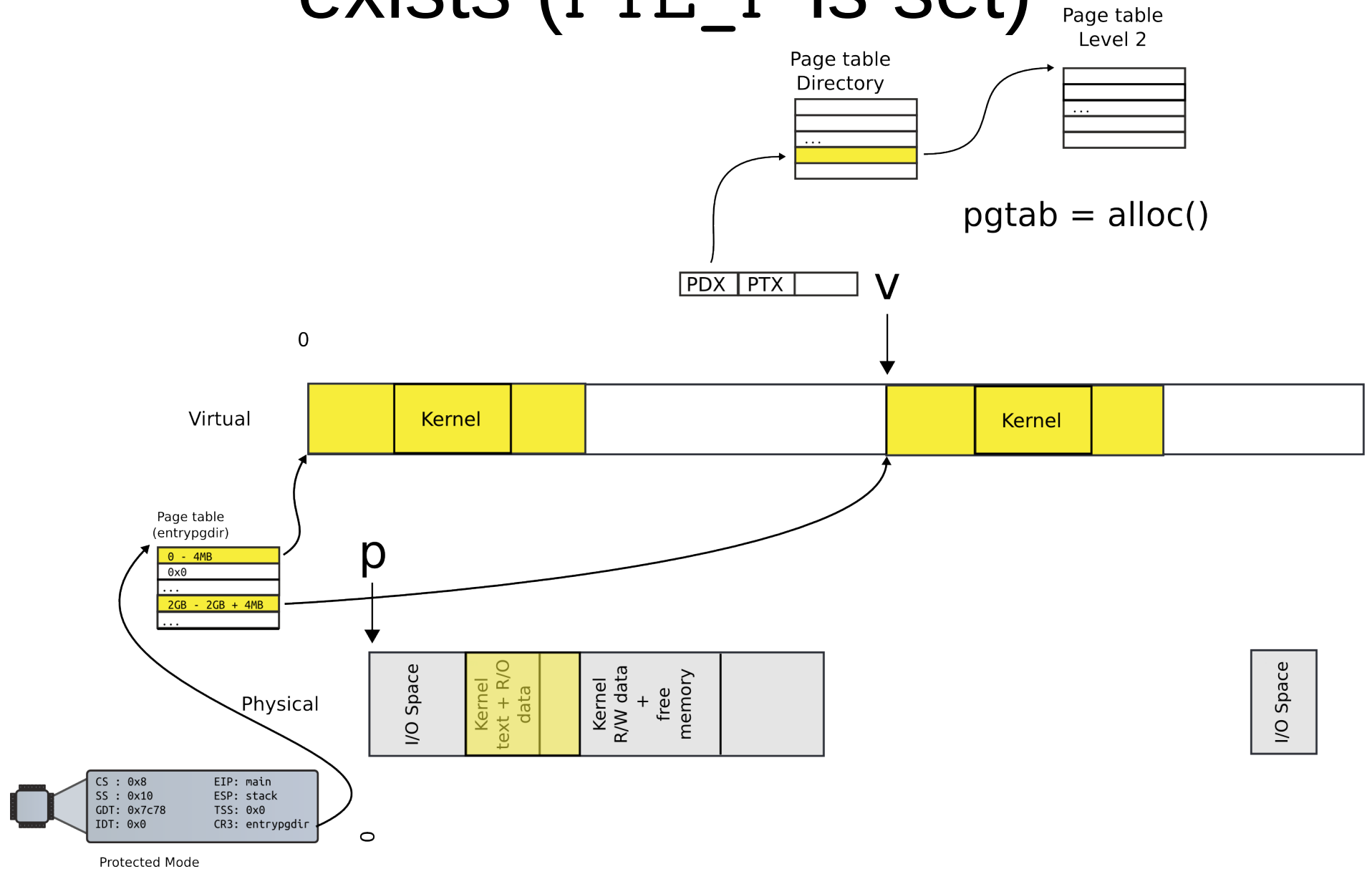


```
1754 walkpgdir(pde_t *pgdir, const void *va, int alloc)
1755 {
1756     pde_t *pde;
1757     pte_t *pgtab;
1758
1759     pde = &pgdir[PDX(va)];
1760     if(*pde & PTE_P){
1761         pgtab = (pte_t*)P2V(PTE_ADDR(*pde));
1762     } else {
1763         if(!alloc || (pgtab = (pte_t*)kalloc()) == 0)
1764             return 0;
1765         // Make sure all those PTE_P bits are zero.
1766         memset(pgtab, 0, PGSIZE);
1767
1768         ...
1770         *pde = V2P(pgtab) | PTE_P | PTE_W | PTE_U;
1771     }
1772     return &pgtab[PTX(va)];
1773 }
```

Check if the level 2 page
is allocated already



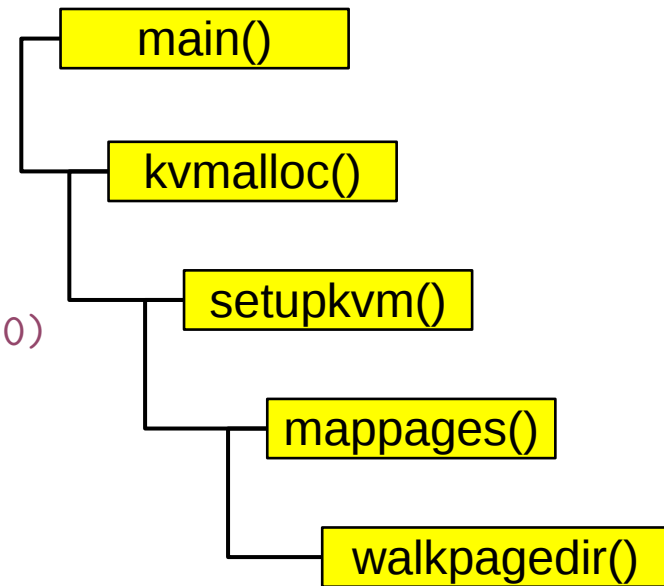
See if the next page table level exists (PTE_P is set)



```

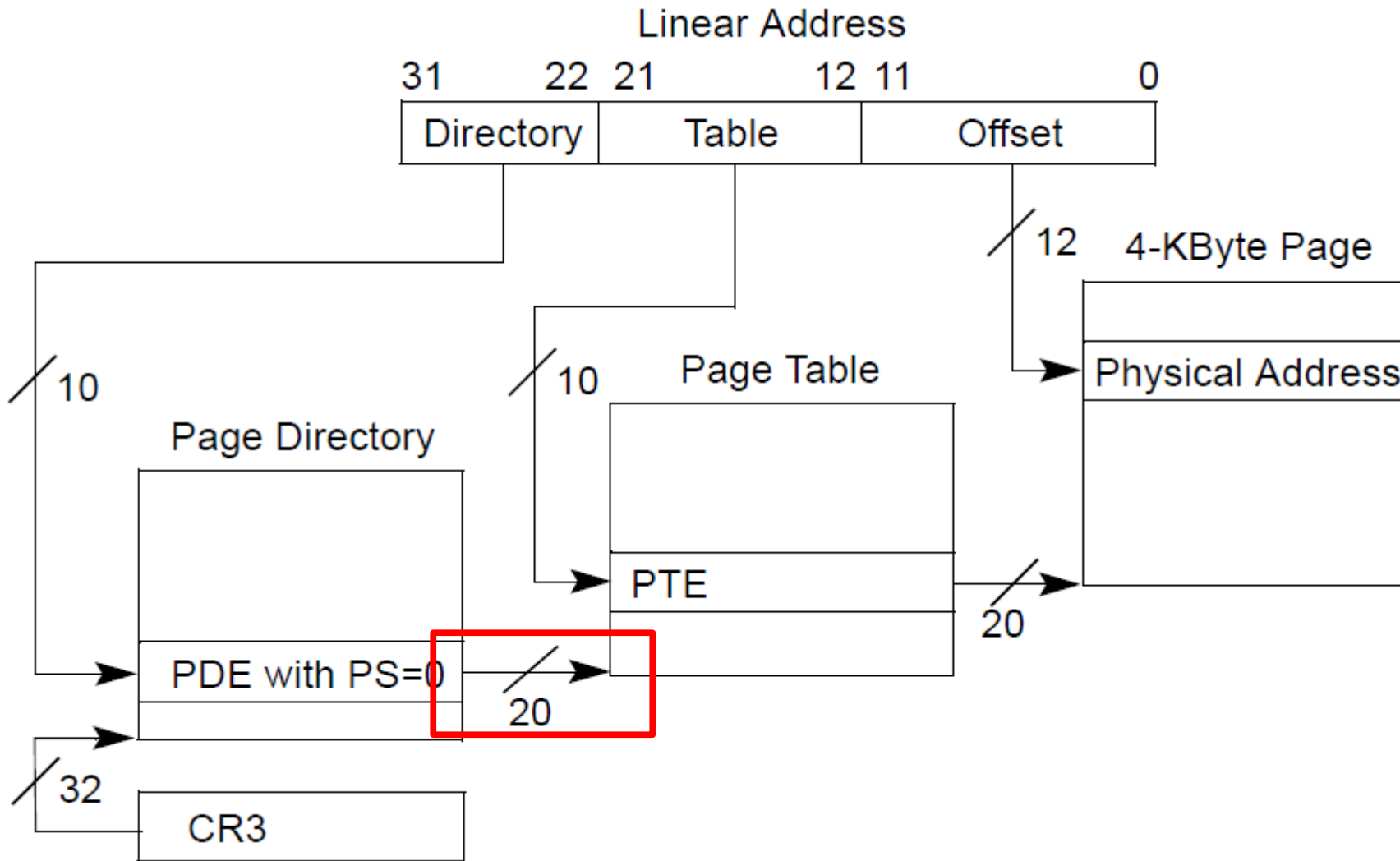
1754 walkpgdir(pde_t *pgdir, const void *va, int alloc)
1755 {
1756     pde_t *pde;
1757     pte_t *pgtab;
1758
1759     pde = &pgdir[PDX(va)];
1760     if(*pde & PTE_P){
1761         pgtab = (pte_t*)P2V(PTE_ADDR(*pde));
1762     } else {
1763         if(!alloc || (pgtab = (pte_t*)kalloc()) == 0)
1764             return 0;
1765         // Make sure all those PTE_P bits are zero.
1766         memset(pgtab, 0, PGSIZE);
1767
1768         ...
1770         *pde = V2P(pgtab) | PTE_P | PTE_W | PTE_U;
1771     }
1772     return &pgtab[PTX(va)];
1773 }

```



- If yes, locate the page (pgtab) containing the level 2 page table

PDE contains 20 bits which represent physical page number



Getting level 2 page

```
1761         pgtab = (pte_t*)P2V(PTE_ADDR(*pde));
```

- We need two things
 - Convert from 20 bits of physical page number to physical address of the page
 - `PTE_ADDR(*pde)`
 - Convert from physical address of that page to virtual address
 - `P2V(...)`
 - Since we can't access physical addresses directly
 - They have to be mapped
 - Registers, mov instructions, etc. contain virtual addresses

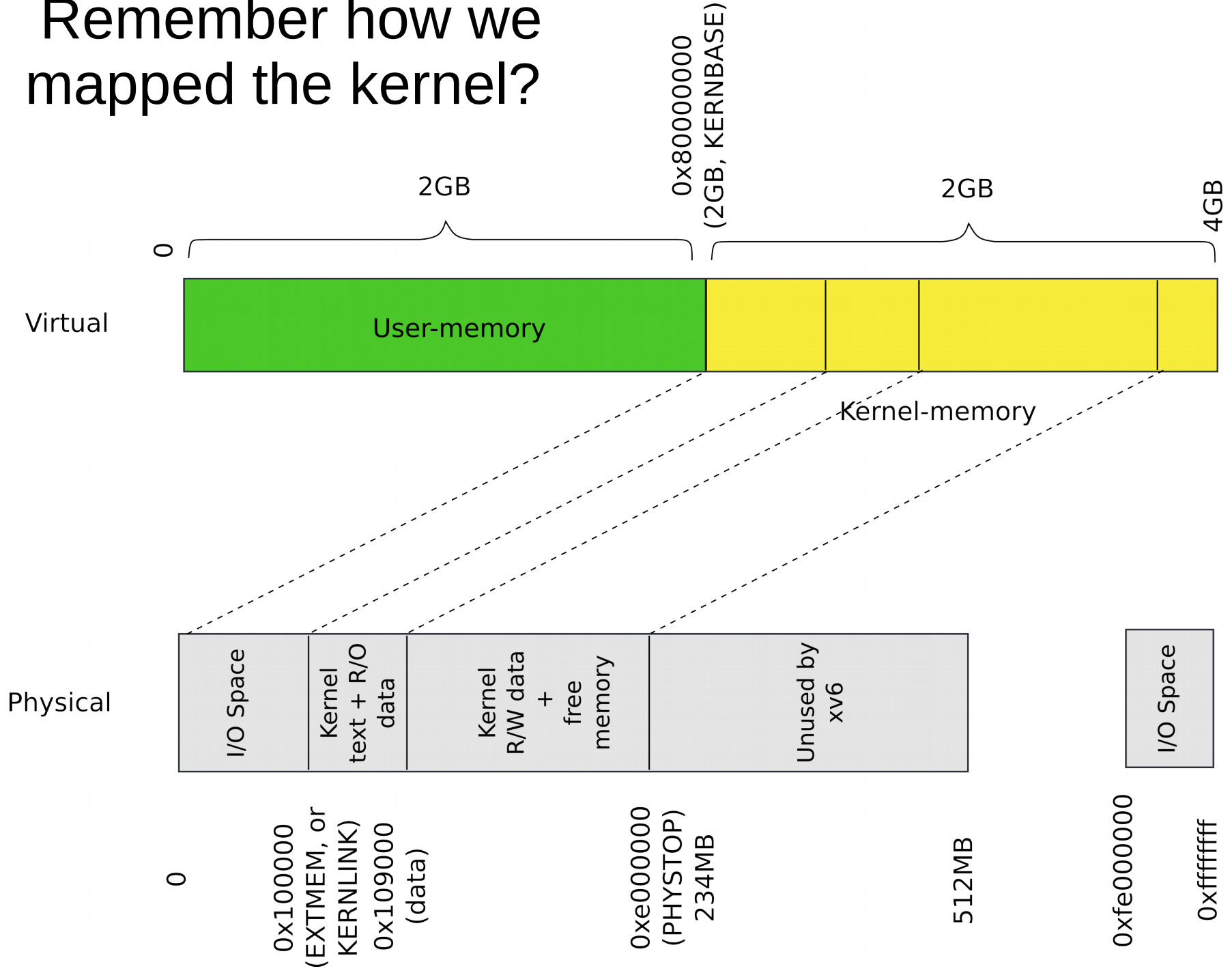
Step 1

- Convert from 20 bits of physical page number to physical address of the page
 - `PTE_ADDR(*pde)`
 - This is trivial
 -

Step 2

- Convert from physical address of that page to virtual address
 - $P2V(\dots)$
 - This seems a bit tricky

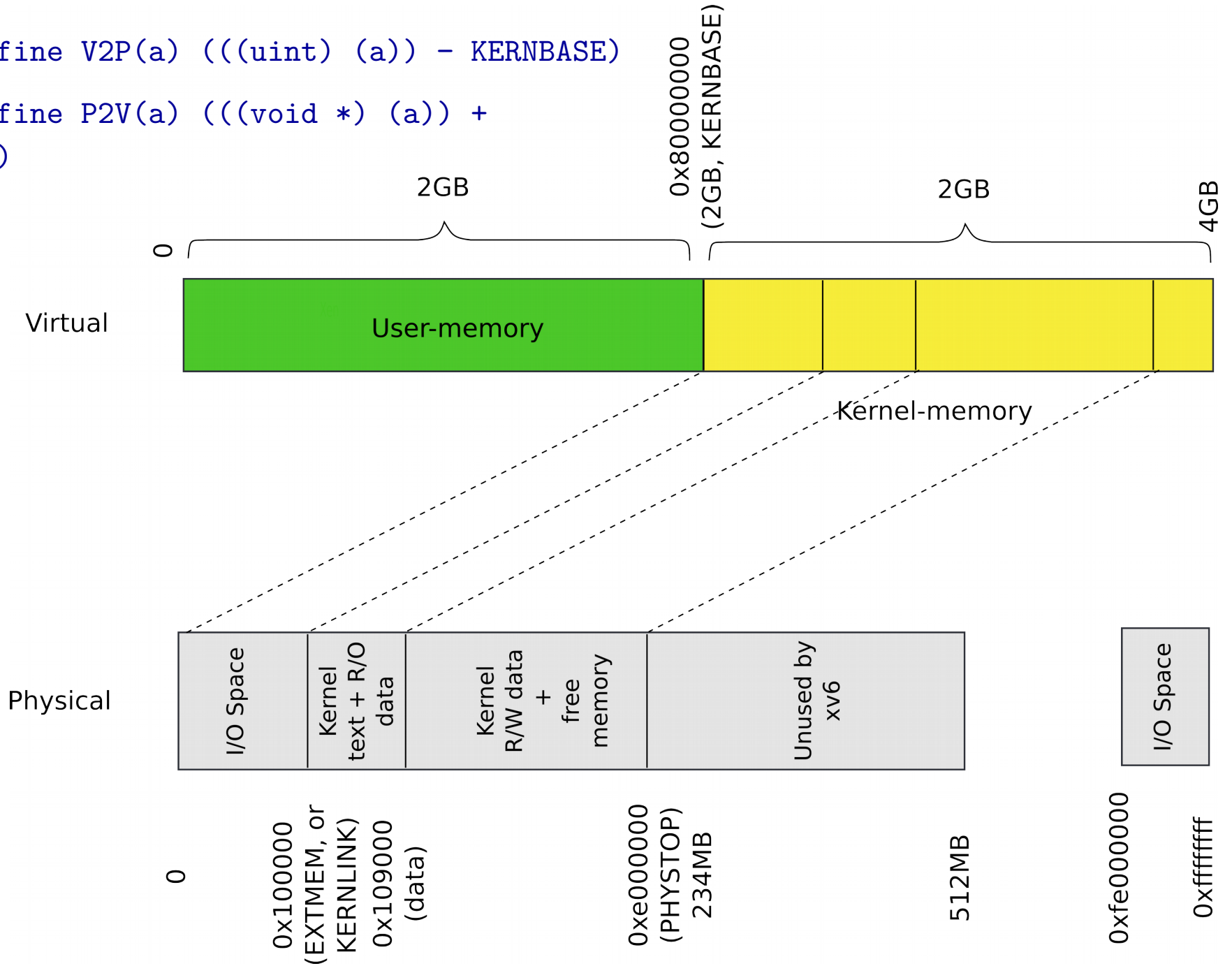
Remember how we mapped the kernel?



```
0207 #define KERNBASE 0x80000000 // First
kernel virtual address
```

```
0210 #define V2P(a) (((uint) (a)) - KERNBASE)
```

```
0211 #define P2V(a) (((void *) (a)) +
KERNBASE)
```

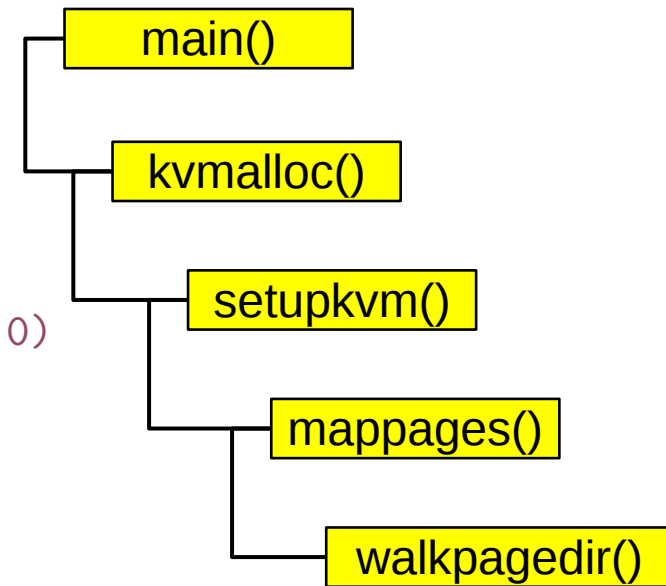



```

1754 walkpgdir(pde_t *pgdir, const void *va, int alloc)
1755 {
1756     pde_t *pde;
1757     pte_t *pgtab;
1758
1759     pde = &pgdir[PDX(va)];
1760     if(*pde & PTE_P){
1761         pgtab = (pte_t*)P2V(PTE_ADDR(*pde));
1762     } else {
1763         if(!alloc || (pgtab = (pte_t*)kalloc()) == 0)
1764             return 0;
1765         // Make sure all those PTE_P bits are zero.
1766         memset(pgtab, 0, PGSIZE);
1767
1768         ...
1770         *pde = V2P(pgtab) | PTE_P | PTE_W | PTE_U;
1771     }
1772     return &pgtab[PTX(va)];
1773 }

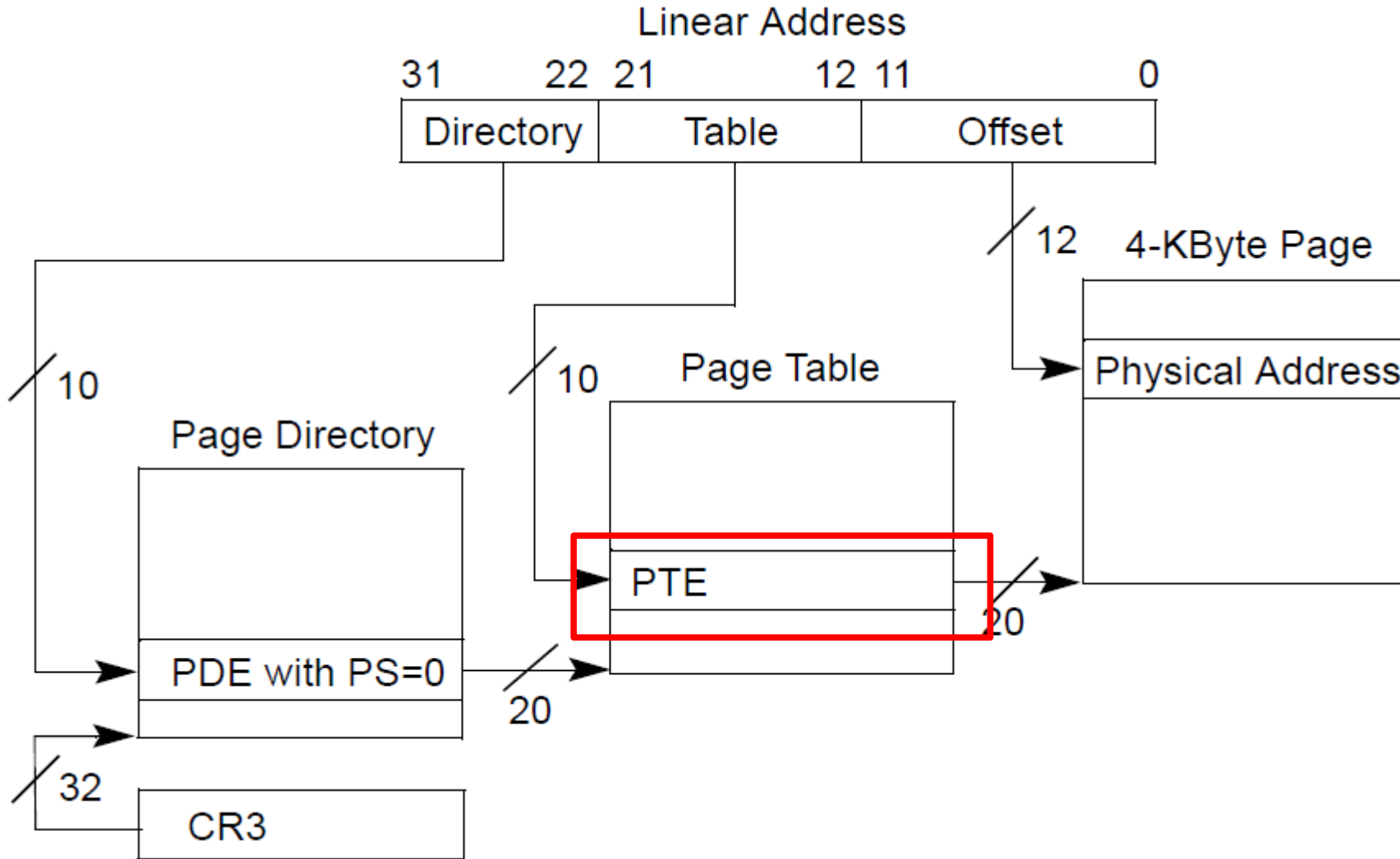
```

Walk page table



- Page table Level 2 exists
- Return the PTE entry

Return a pointer to PTE

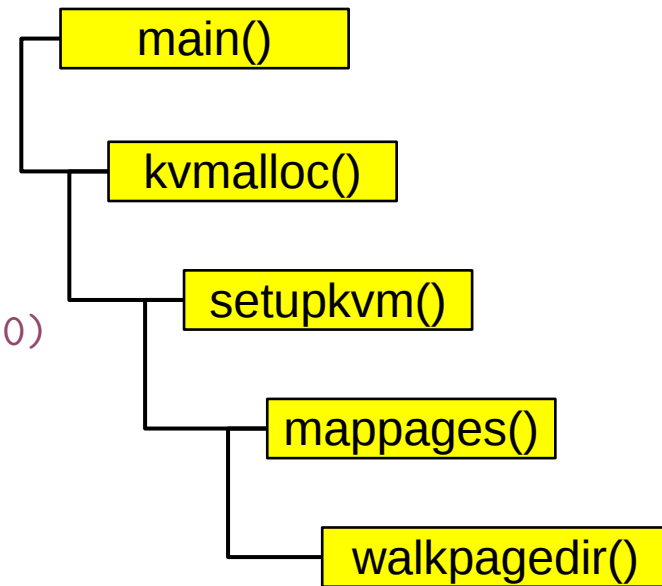


```

1754 walkpgdir(pde_t *pgdir, const void *va, int alloc)
1755 {
1756     pde_t *pde;
1757     pte_t *pgtab;
1758
1759     pde = &pgdir[PDX(va)];
1760     if(*pde & PTE_P){
1761         pgtab = (pte_t*)P2V(PTE_ADDR(*pde));
1762     } else {
1763         if(!alloc || (pgtab = (pte_t*)kalloc()) == 0)
1764             return 0;
1765         // Make sure all those PTE_P bits are zero.
1766         memset(pgtab, 0, PGSIZE);
1767
1768         ...
1770         *pde = V2P(pgtab) | PTE_P | PTE_W | PTE_U;
1771     }
1772     return &pgtab[PTX(va)];
1773 }

```

Walk page table

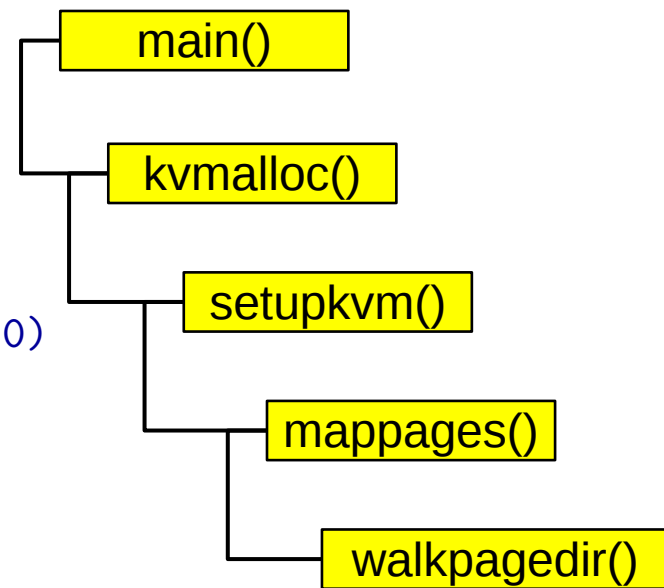


- Page table Level 2 exists
- Return the PTE entry

```

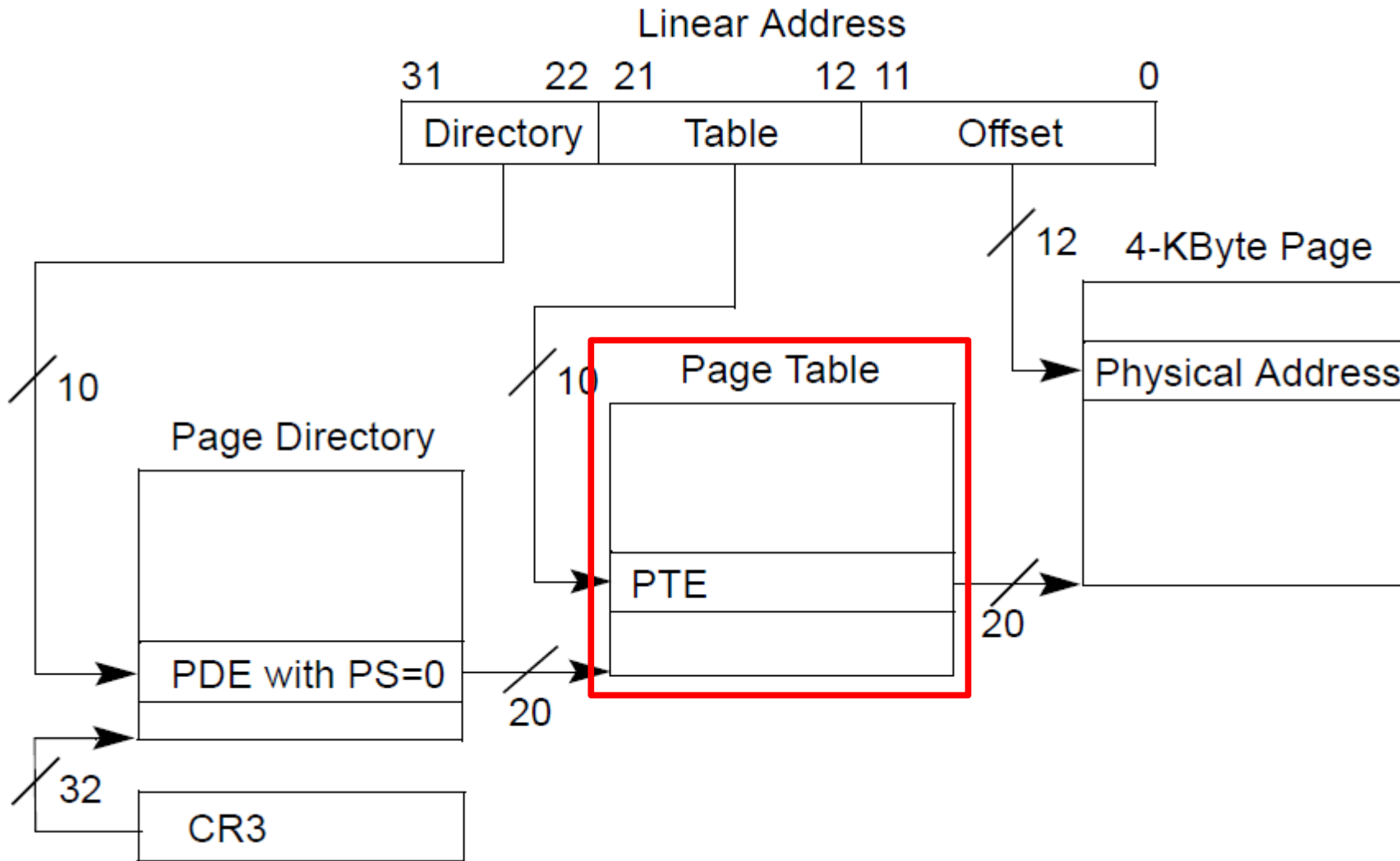
1754 walkpgdir(pde_t *pgdir, const void *va, int alloc)
1755 {
1756     pde_t *pde;
1757     pte_t *pgtab;
1758
1759     pde = &pgdir[PDX(va)];
1760     if(*pde & PTE_P){
1761         pgtab = (pte_t*)P2V(PTE_ADDR(*pde));
1762     } else {
1763         if(!alloc || (pgtab = (pte_t*)kalloc()) == 0)
1764             return 0;
1765         // Make sure all those PTE_P bits are zero.
1766         memset(pgtab, 0, PGSIZE);
1767
1768         ...
1770         *pde = V2P(pgtab) | PTE_P | PTE_W | PTE_U;
1771     }
1772     return &pgtab[PTX(va)];
1773 }

```



- Page table Level 2 does not exist
- Allocate one

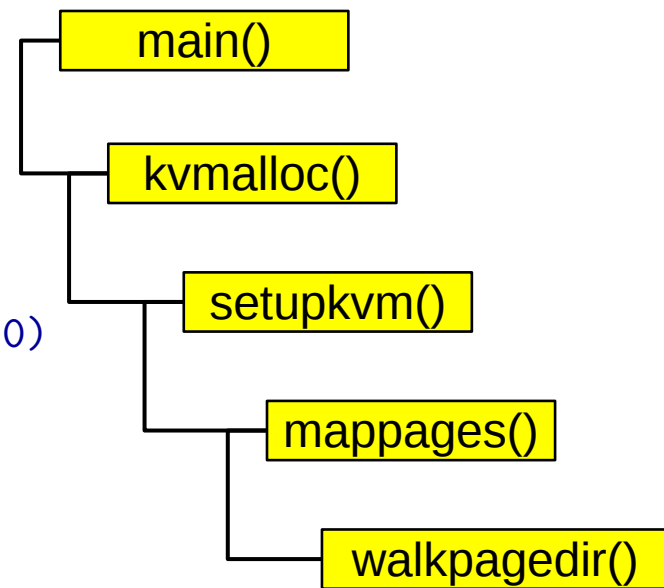
Level 2 page table is not allocated



```

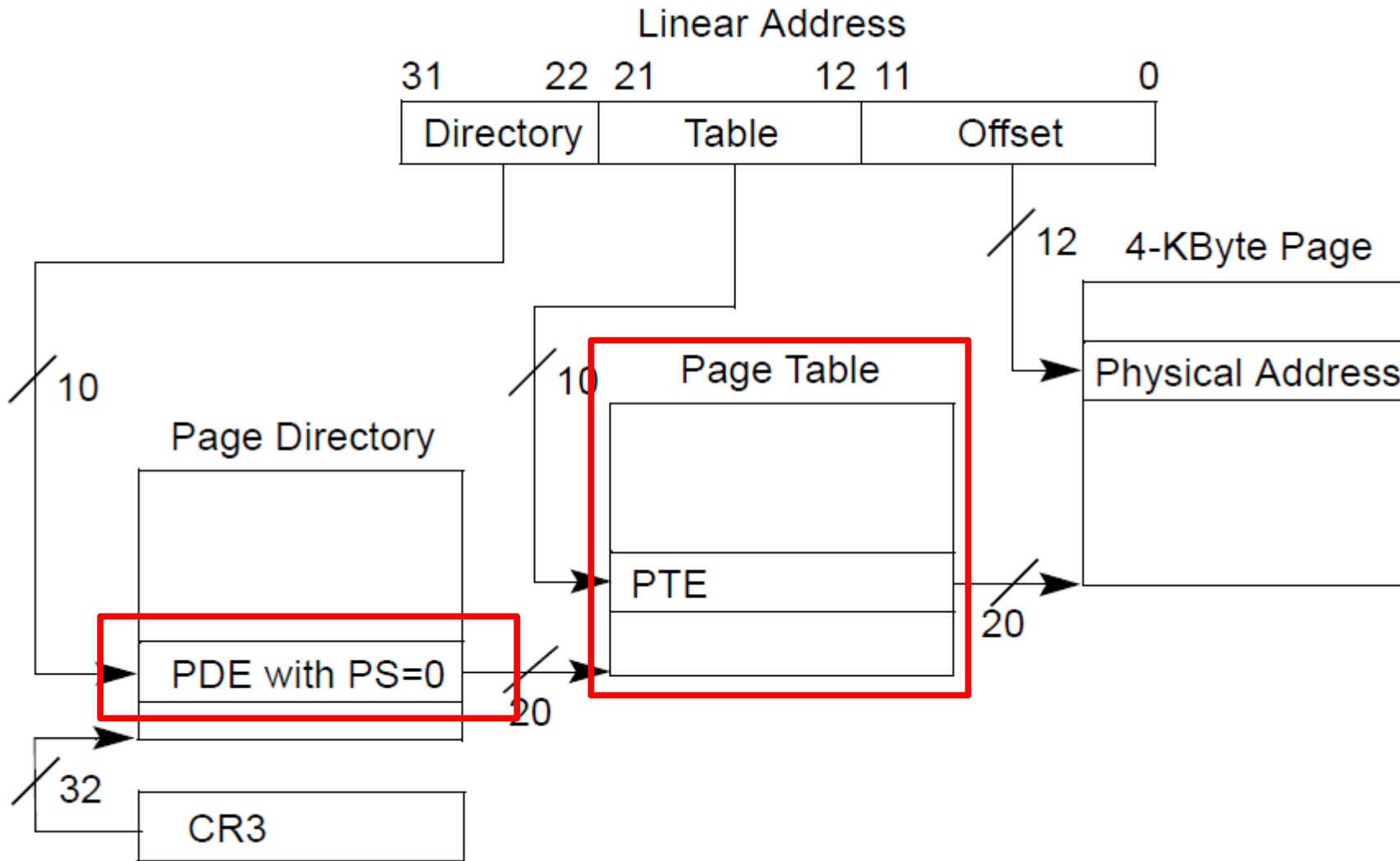
1754 walkpgdir(pde_t *pgdir, const void *va, int alloc)
1755 {
1756     pde_t *pde;
1757     pte_t *pgtab;
1758
1759     pde = &pgdir[PDX(va)];
1760     if(*pde & PTE_P){
1761         pgtab = (pte_t*)P2V(PTE_ADDR(*pde));
1762     } else {
1763         if(!alloc || (pgtab = (pte_t*)kalloc()) == 0)
1764             return 0;
1765         // Make sure all those PTE_P bits are zero.
1766         memset(pgtab, 0, PGSIZE);
1767
1768         ...
1770         *pde = V2P(pgtab) | PTE_P | PTE_W | PTE_U;
1771     }
1772     return &pgtab[PTX(va)];
1773 }

```



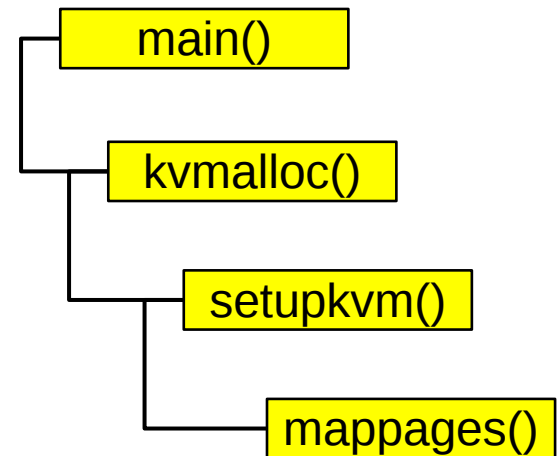
- Allocate the new page
- Initialize it with zeros
- Update the page directory entry (*pde)

Now the level 2 page table is allocated



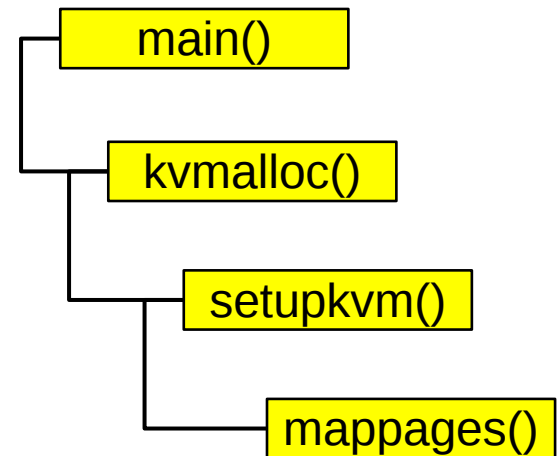
Back to `mmap` function that maps a region of virtual memory into continuous region of physical memory


```
1779 mappages(pde_t *pgdir, void *va, uint size, uint pa, int perm)
1780 {
1781     char *a, *last;
1782     pte_t *pte;
1783
1784     a = (char*)PGROUNDDOWN((uint)va);
1785     last = (char*)PGROUNDDOWN(((uint)va) + size - 1);
1786     for(;;){
1787         if((pte = walkpgdir(pgdir, a, 1)) == 0)
1788             return -1;
1789         if(*pte & PTE_P)
1790             panic("remap");
1791         *pte = pa | perm | PTE_P;
1792         if(a == last)
1793             break;
1794         a += PGSIZE;
1795         pa += PGSIZE;
1796     }
1797     return 0;
1798 }
```



Remember we're
done

```
1779 mappages(pde_t *pgdir, void *va, uint size, uint pa, int perm)
1780 {
1781     char *a, *last;
1782     pte_t *pte;
1783
1784     a = (char*)PGROUNDDOWN((uint)va);
1785     last = (char*)PGROUNDDOWN(((uint)va) + size - 1);
1786     for(;;){
1787         if((pte = walkpgdir(pgdir, a, 1)) == 0)
1788             return -1;
1789         if(*pte & PTE_P)
1790             panic("remap");
1791         *pte = pa | perm | PTE_P;
1792         if(a == last)
1793             break;
1794         a += PGSIZE;
1795         pa += PGSIZE;
1796     }
1797     return 0;
1798 }
```

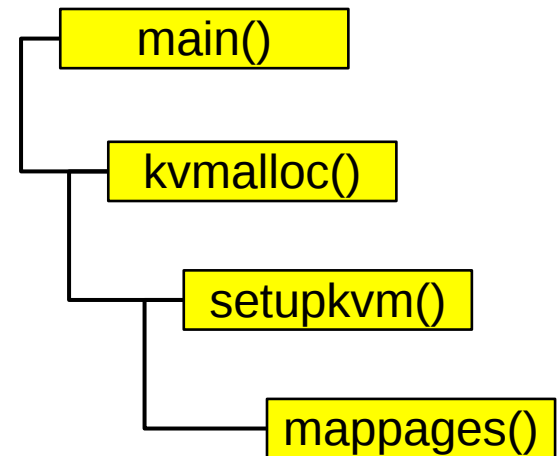


Page present
(PTE_P) – panic

```

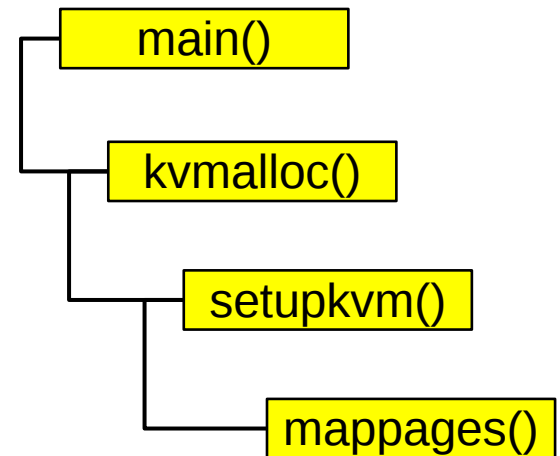
1779 mappages(pde_t *pgdir, void *va, uint size, uint pa, int perm)
1780 {
1781     char *a, *last;
1782     pte_t *pte;
1783
1784     a = (char*)PGROUNDDOWN((uint)va);
1785     last = (char*)PGROUNDDOWN(((uint)va) + size - 1);
1786     for(;;){
1787         if((pte = walkpgdir(pgdir, a, 1)) == 0)
1788             return -1;
1789         if(*pte & PTE_P)
1790             panic("remap");
1791         *pte = pa | perm | PTE_P;
1792         if(a == last)
1793             break;
1794         a += PGSIZE;
1795         pa += PGSIZE;
1796     }
1797     return 0;
1798 }

```



- Update page table entry
 - Where does it point (*pte)?
 - pa – physical address of the page

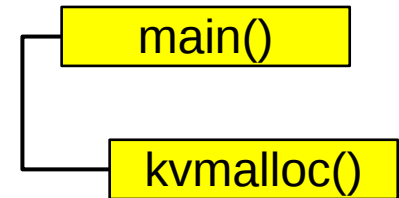
```
1779 mappages(pde_t *pgdir, void *va, uint size, uint pa, int perm)
1780 {
1781     char *a, *last;
1782     pte_t *pte;
1783
1784     a = (char*)PGROUNDDOWN((uint)va);
1785     last = (char*)PGROUNDDOWN(((uint)va) + size - 1);
1786     for(;;){
1787         if((pte = walkpgdir(pgdir, a, 1)) == 0)
1788             return -1;
1789         if(*pte & PTE_P)
1790             panic("remap");
1791         *pte = pa | perm | PTE_P;
1792         if(a == last)
1793             break;
1794         a += PGSIZE;
1795         pa += PGSIZE;
1796     }
1797     return 0;
1798 }
```



- Move to the next page

kvmalloc()

```
1757 kvmalloc(void)
1758 {
1759     kpgdir = setupkvm();
1760     switchkvm();
1761 }
```



Switch to the new page table

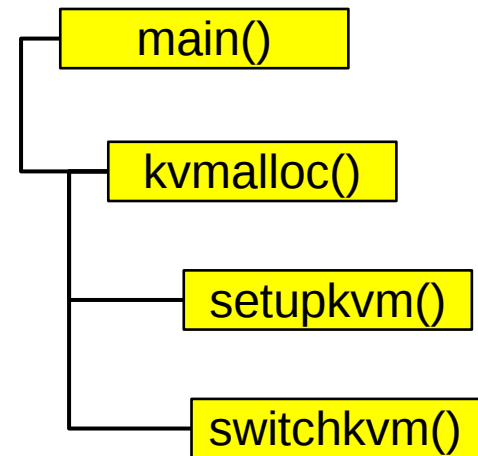
```
1765 void
```

```
1766 switchkvm(void)
```

```
1767 {
```

```
1768     lcr3(v2p(kpgdir));
```

```
1769 }
```



Recap

- Kernel has a memory allocator
- Kernel has a its own address space
 - It uses 4KB page tables
- It is ready to create processes

Thank you!